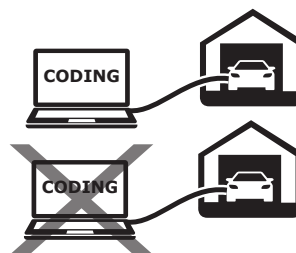




VOLKSWAGEN

TIGUAN II (AD1/AX1)	04/2016 >>
TIGUAN II (BW2, BJ2) ALLSPACE	06/2017 >>
TIGUAN III (CT1)	01/2024 >>
TOURAN II (5T1)	09/2015 >>



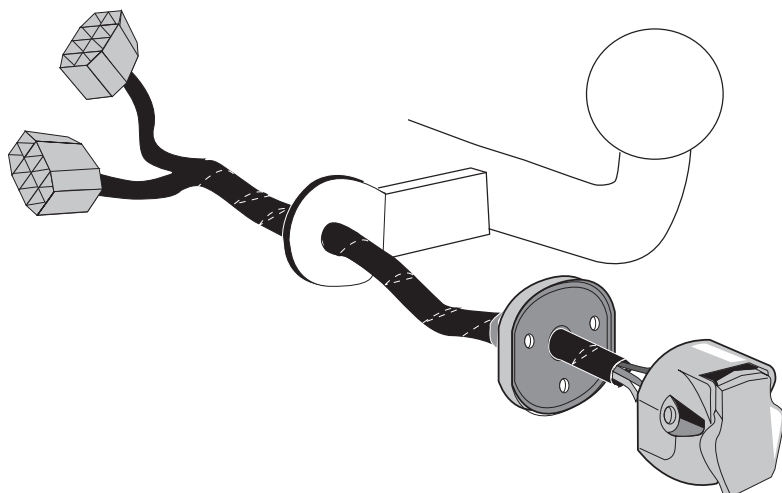
ECS Duplex-Kit

Tow bar wiring harness
7pin/ISO1724 including
two different operation-modes

Vehicles with and without trailer preparation!

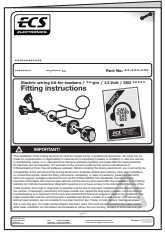
Part No: VW-305-07MU

Electric wiring kit for towbars / 7-pin / 12N / 12 Volt / ISO 1724 Fitting instructions



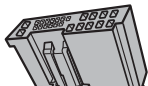
IMPORTANT!

The installation of the towing electrics kit must be carried out by a qualified car technician. No claim can be made for compensation or legal liability in case the kit is improperly installed or modified, in case the vehicle is insufficiently coded, or in case technical changes (software-updates) are made after the towing electrics kit has been put into operation, for example during product recalls by the vehicle manufacturer or OTA maintaining (Over-The-Air software updates). Before installing the towing electrics kit, you must verify the compatibility of the vehicle and the towing electrics kit. Evaluate vehicle fault memory. Only start installation on a fault-free vehicle. Read the fitting instructions completely. In case of questions, please contact ECS technical support: ukts@ecs-electronics.com and/or 07440 202052. The installation manual contains important information and must be kept with the vehicle service documents after the installation of the towing electrics kit. Vehicle manufacturer diagnostic systems do not have access to the internal fault memory of the trailer module. Error logs in diagnostic processes may be due to improper installation or insufficient coding of the vehicle. If necessary, disconnect the trailer module and repeat the diagnostic process. Limit the time for troubleshooting to a maximum of 0,5 hours and contact ECS technical support in case of any problems. The trailer socket test must be carried out with a suitable test device, a trailer or a load carrier. LED test plugs without load resistors are not suitable for a proper function test. Trailer or load carriers must be equipped with a rear fog light. If a trailer socket adaptor has been used, this must be removed from the trailer socket after trailer operation. All information and illustrations shown are non-binding. Subject to technical changes.



B

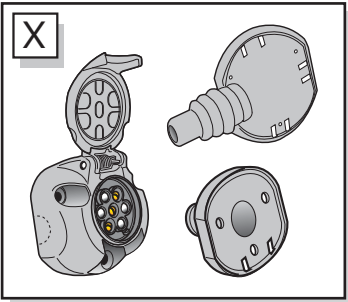
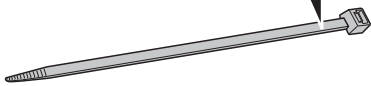
M1



D

G I

5x



X

A

E



3x



3x



3x



1x



20 Amp.

10x



2x



2x



3x



1x



B



L1

L2

L3

L4



L1

L2

L3

L4



L1

L2

L3

L4



L1

L2

L3

L4



L1

L2

L3

L4



L1

L2

L3

L4



L1

L2

L3

L4

L1

L2

L3

L4

L1

L2

L3

L4

L1

L2

L3

L4

L1

L2

L3

L4

L1

L2

L3

L4

L1

L2

L3

L4

L1

L2

L3

L4

L1

L2

L3

L4

L1

L2

L3

L4

L1

L2

L3

L4

L1

L2

L3

L4

L1

L2

L3

L4

L1

L2

L3

L4

L1

L2

L3

L4

L1

L2

L3

L4

L1

L2

L3

L4

L1

L2

L3

L4

L1

L2

L3

L4

L1

L2

L3

L4

L1

L2

L3

L4

L1

L2

L3

L4

L1

L2

L3

L4

L1

L2

L3

L4

L1

L2

L3

L4

L1

L2

L3

L4

L1

L2

L3

L4

L1

L2

L3

L4

L1

L2

L3

L4

L1

L2

L3

L4

L1

L2

L3

L4

L1

L2

L3

L4

L1

L2

L3

L4

L1

L2

L3

L4

L1

L2

L3

L4

L1

L2

L3

L4

L1

L2

L3

L4

L1

L2

L3

L4

L1

L2

L3

L4

L1

L2

L3

L4

L1

L2

L3

L4

L1

L2

L3

L4

L1

L2

L3

L4

L1

L2

L3

L4

L1

Duplex-Mode 1 - With Coding (read/write)

INFO

VW TIGUAN II (AD1/AX1)

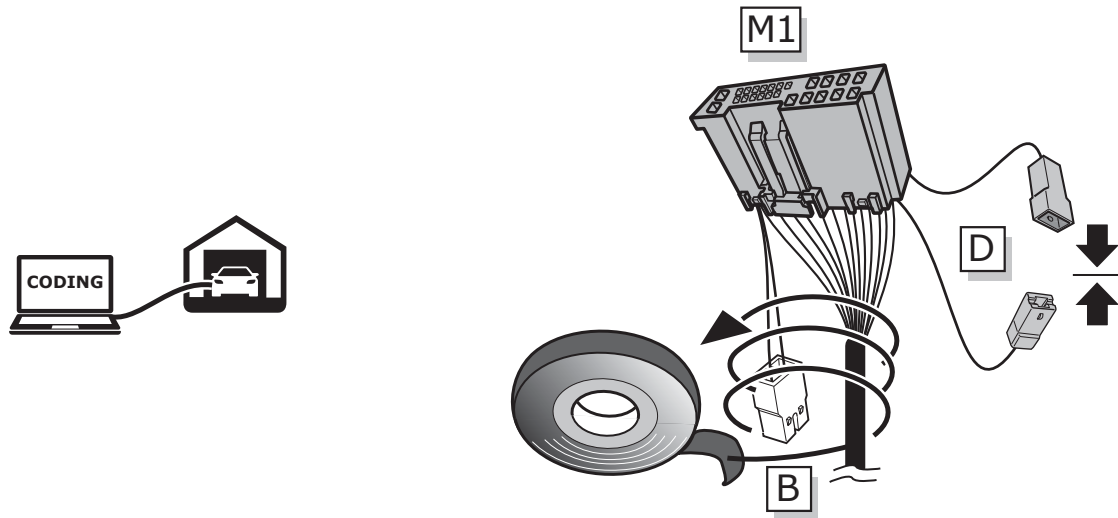
04/2016 >> 07/2023

VW TIGUAN II (BW2, BJ2) ALLSPACE

06/2017 >> 07/2023

VW TOURAN II (5T1)

09/2015 >> 07/2023



Duplex-Mode 2 - Without Coding (read-only)

INFO

VW TIGUAN II (AD1/AX1)

08/2023 >>

VW TIGUAN II (BW2, BJ2) ALLSPACE

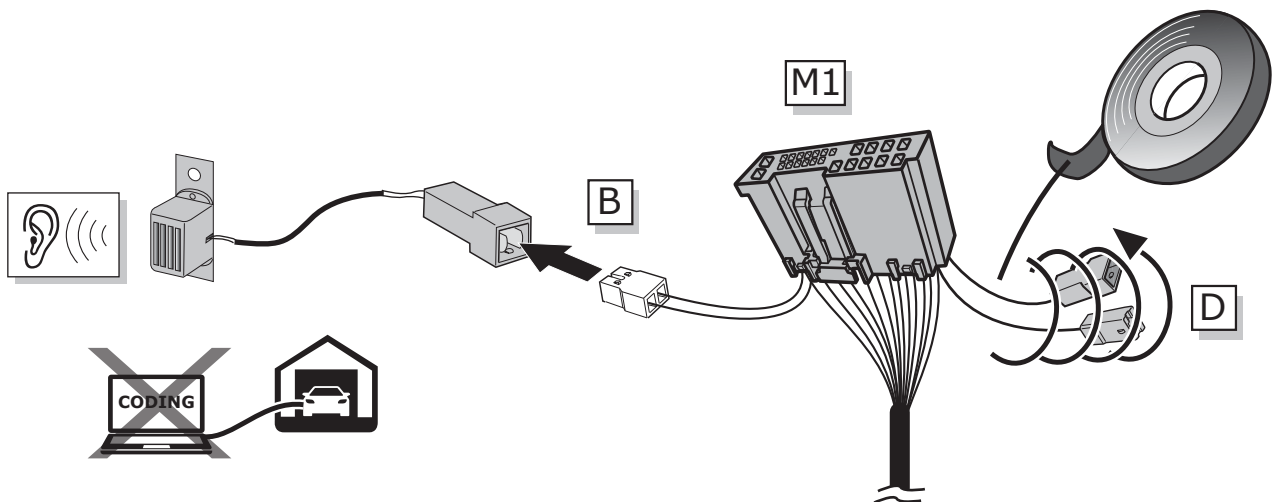
08/2023 >>

VW TIGUAN III (CT1)

01/2024 >>

VW TOURAN II (5T1)

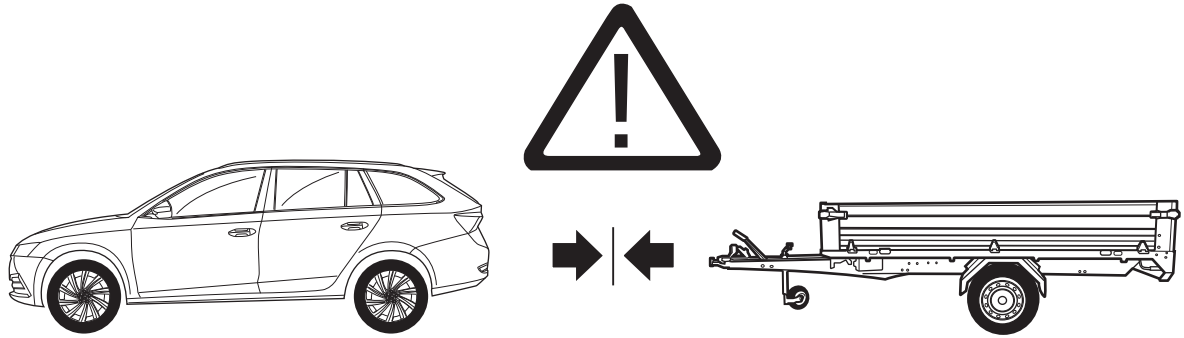
08/2023 >>



Vehicles with the equipment codes NI1, NI7, NI8, and NI9 currently cannot be coded for trailer operation.

The so-called PR codes NI1, NI7, NI8, and NI9 represent an extended protection device from Volkswagen AG (SFD2), which will be implemented starting August 2023 and now affects all models. For vehicles with the aforementioned PR codes, the ECS Duplex installation kit must be installed in read-only mode as described above.

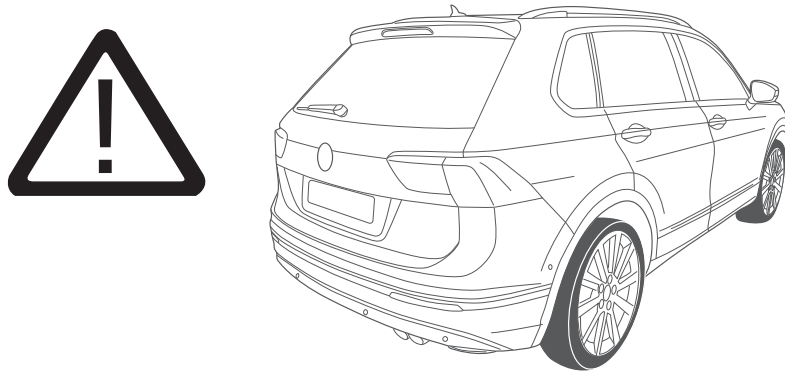
Duplex-Mode 2 - Without Coding (read-only)



Please note:

This wiring kit does not support any vehicle assistance systems in Duplex 2 mode (read-only). Assistance systems may need to be deactivated manually when towing a trailer or load carrier. The rear fog light of the vehicle is not deactivated when towing a trailer. After the towing electrics kit has been put into initial operation, manual deactivation of assistance systems may, in exceptional cases, be subsequently restricted by the vehicle manufacturer through software updates. Any warranty from ECS is expressly excluded in this case. Please contact the vehicle manufacturer.

Duplex-Mode 2 - Without Coding (read-only)



Please note:

The electric tailgate will continue to operate even when a load carrier/trailer/caravan is connected and must be operated manually to avoid damage. Automatic or remote-controlled parking assistance systems must not be used when towing a trailer.

SYMBOL EXPLANATION

58L	Left taillight (58-L)
58R	Right taillight (58-R)
54	Stop light (54) / high mounted, third stop light (54)
	Turn signal indicator left
	Turn signal indicator right
	Rear fog light(s)
	Reversing lights(s)
+30	Permanent power supply / 13pin socket, chamber 9
+15	Charging wire for trailer battery/ 13pin socket, chamber 10
	Trailer / Trailer recognition
+30	Permanent current power supply
+15	Voltage after ignition

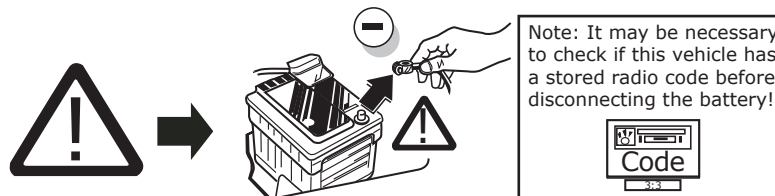
	Ground or Earth (31)
	Ground connection battery terminal lug
	Positive connection battery terminal lug
	Fuse / fuse capacity 20 Amp
	Loudspeaker / buzzer
	Park distance control
	Switch / source of function
	Connect together
	Disconnect
	PDC cut off
	Look carefully at selected area
	Present / Occupied / OK

	Not present / Not occupied / not OK
	Left
	Right
	Acoustic indication
	Attention / important advice
	Reusable
	Trash bin
	Use tape
OPTION	Option
INFO	Information
	Measure the voltage
NO NC COMMON	Normally open Normally close Common

TOOLS



ATTENTION! The vehicle's cooling capacity may have to be increased when retrofitting a trailer coupling! You must observe the manufacturer's instructions!!



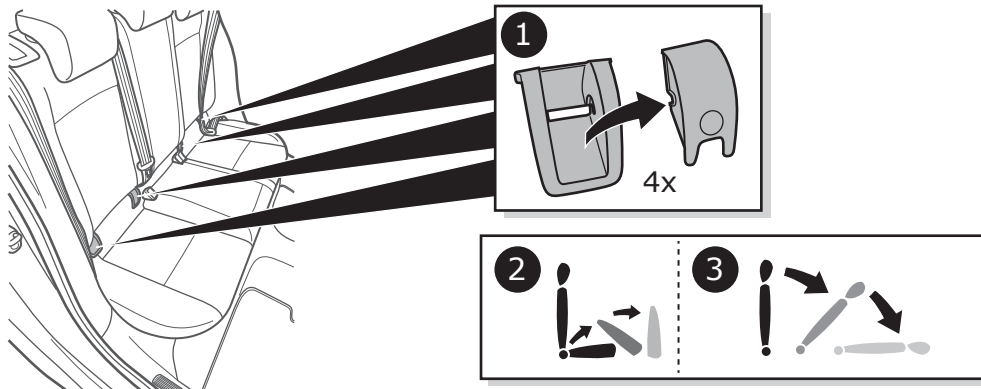
ATTENTION! In order to avoid mal-functions and damage to the vehicle's electrical system the earth terminal **must be disconnected** from the vehicle's battery **before starting work!**

Both the trailer module and the vehicle's control unit for the electrical system can be damaged during work on the data bus connections if the battery is not disconnected!

Please pay attention to the manufacturer's instructions when disconnecting and reconnecting the vehicle's battery!

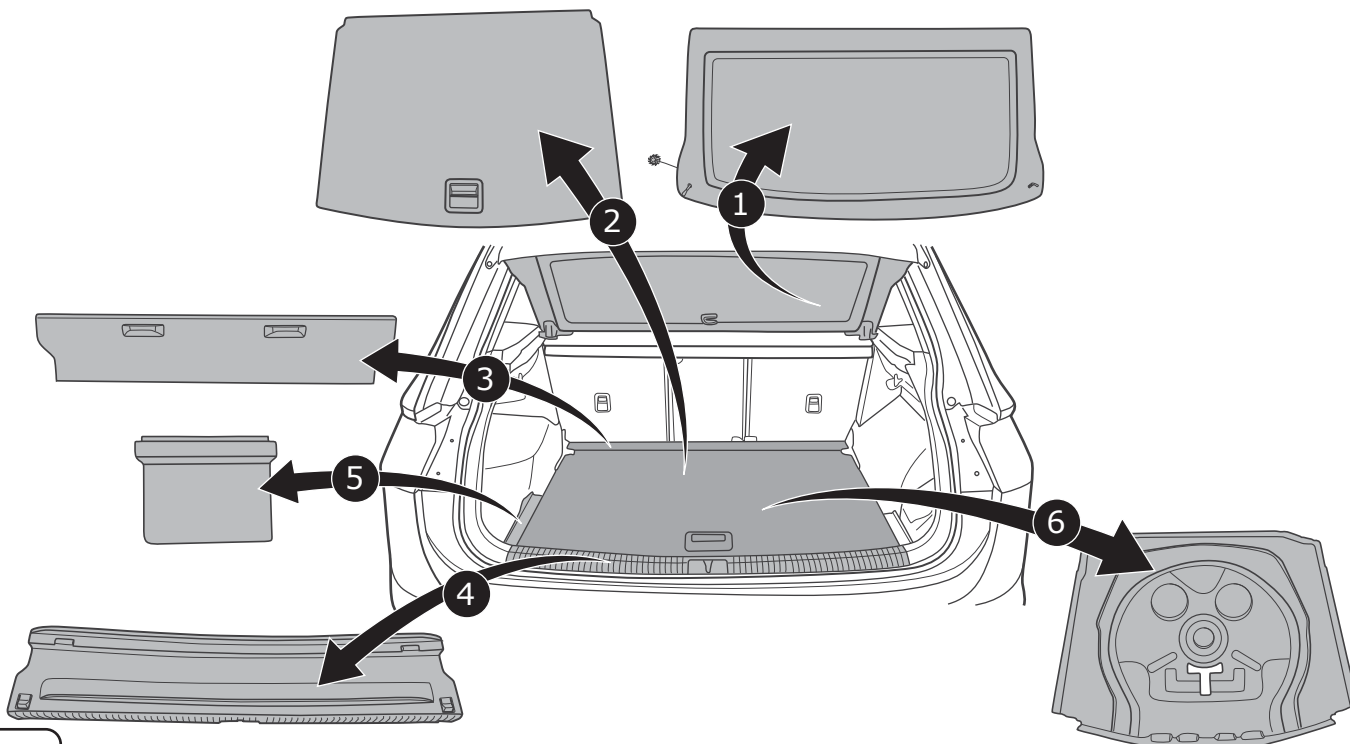
1

All models



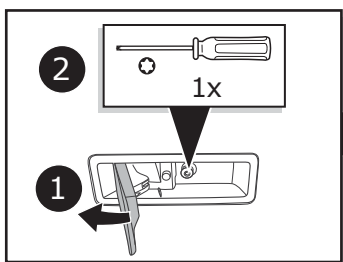
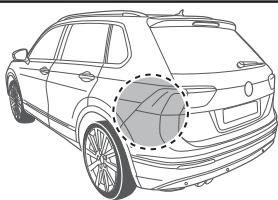
2

Tiguan II

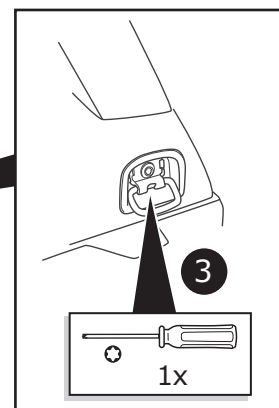
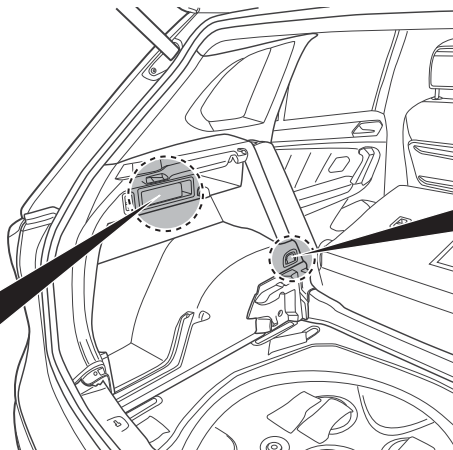


3

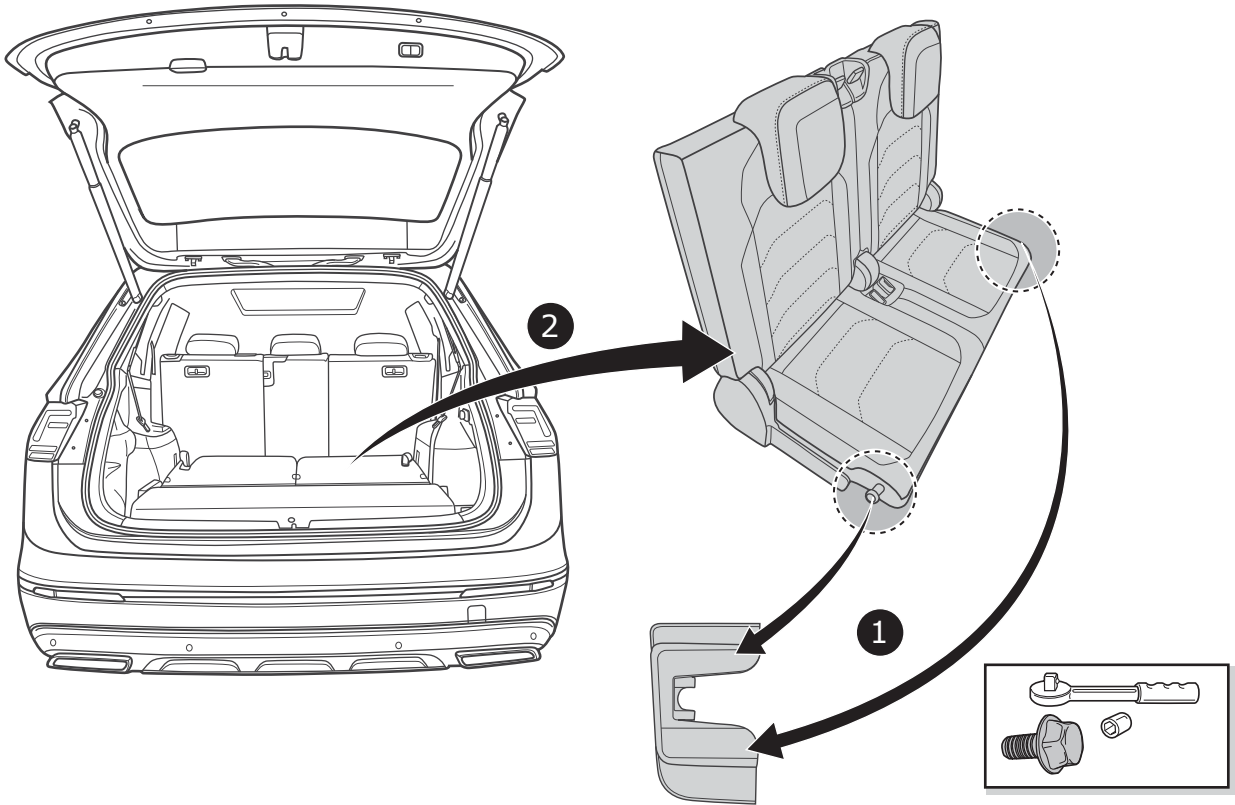
Tiguan II



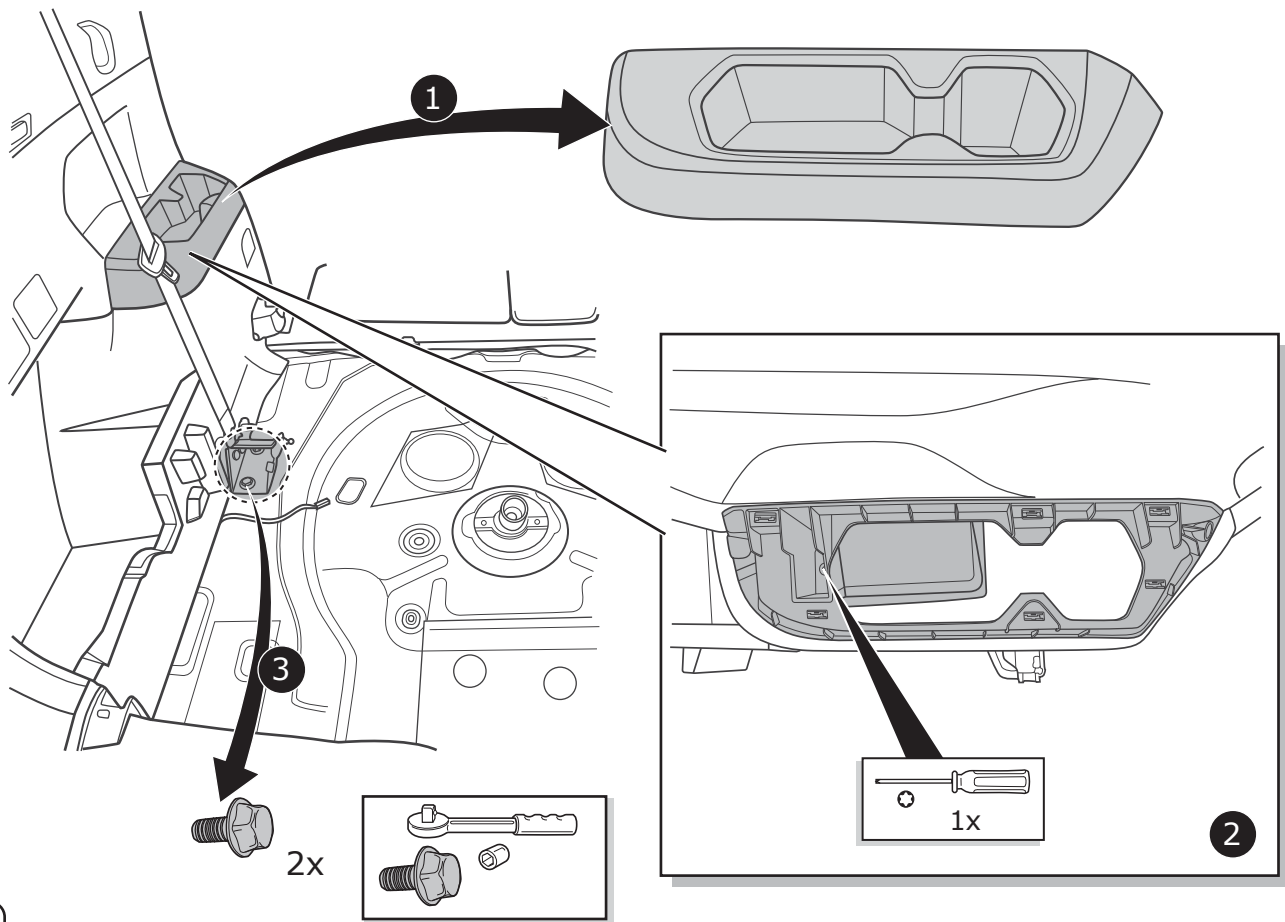
4



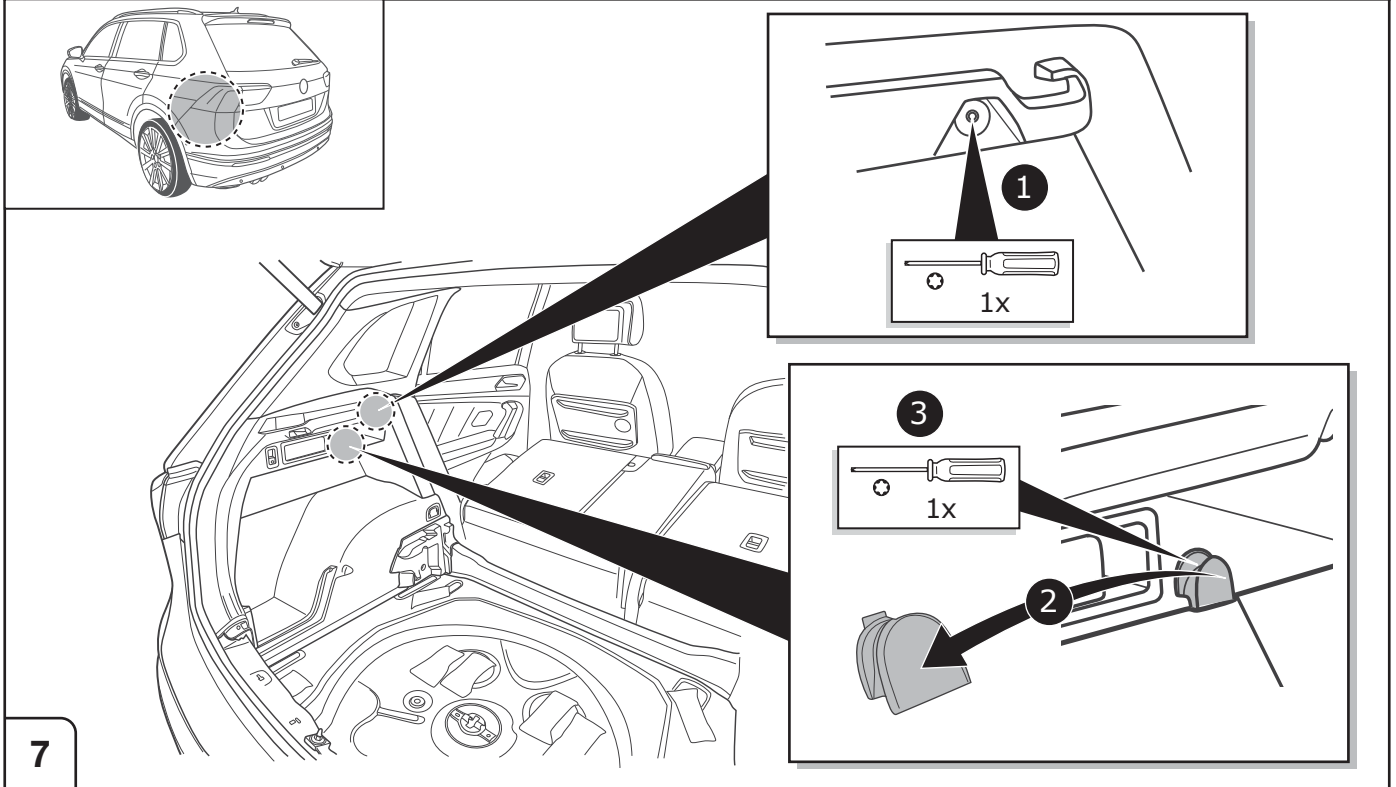
Tiguan Allspace



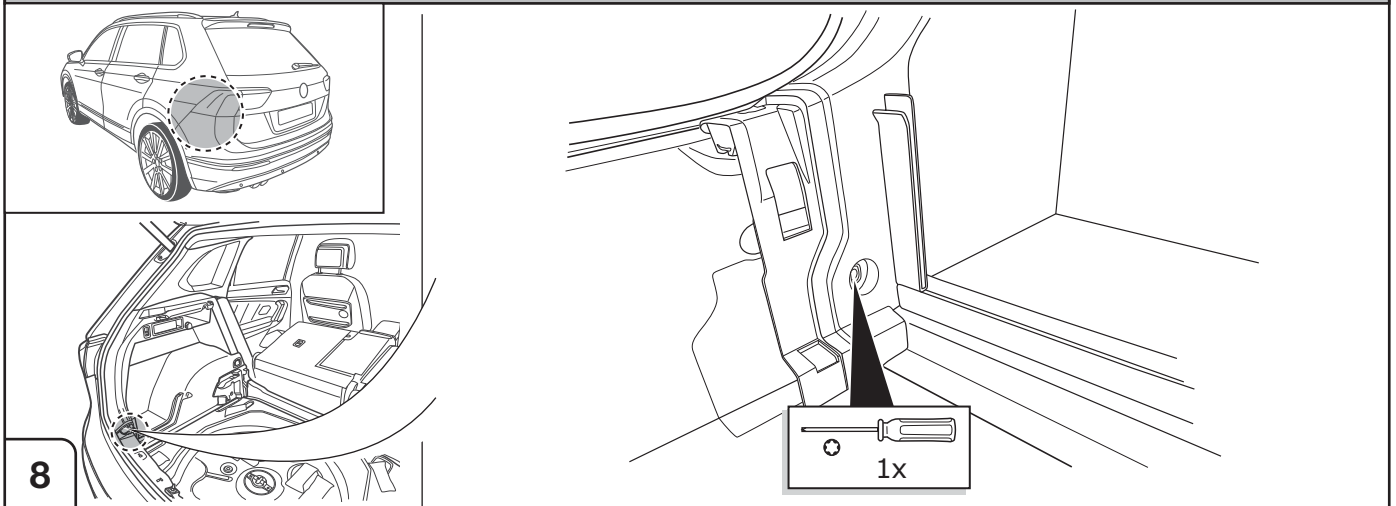
Tiguan Allspace



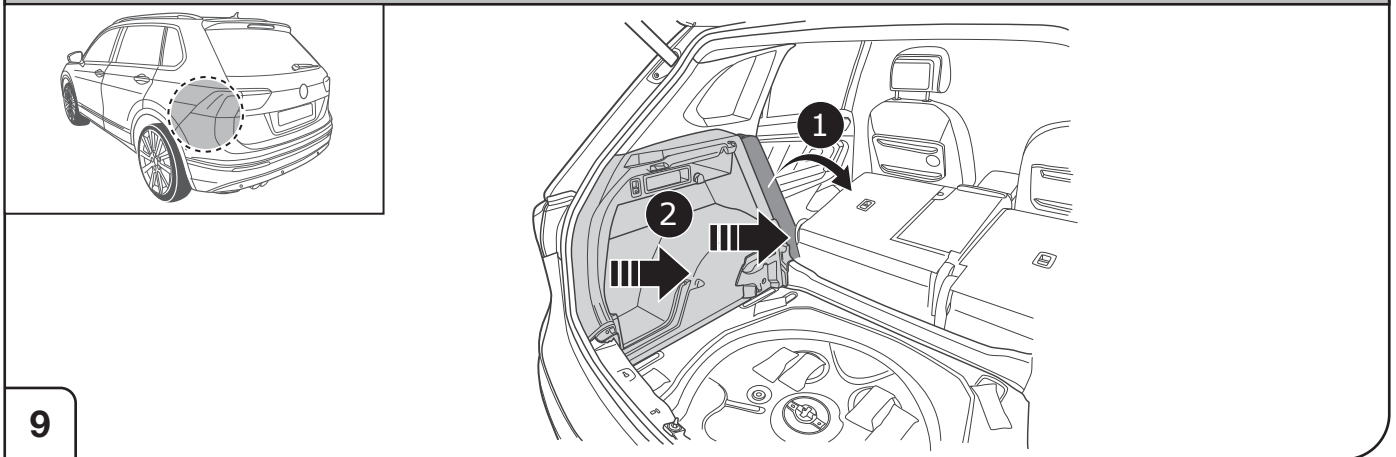
Tiguan / Tiguan Allspace



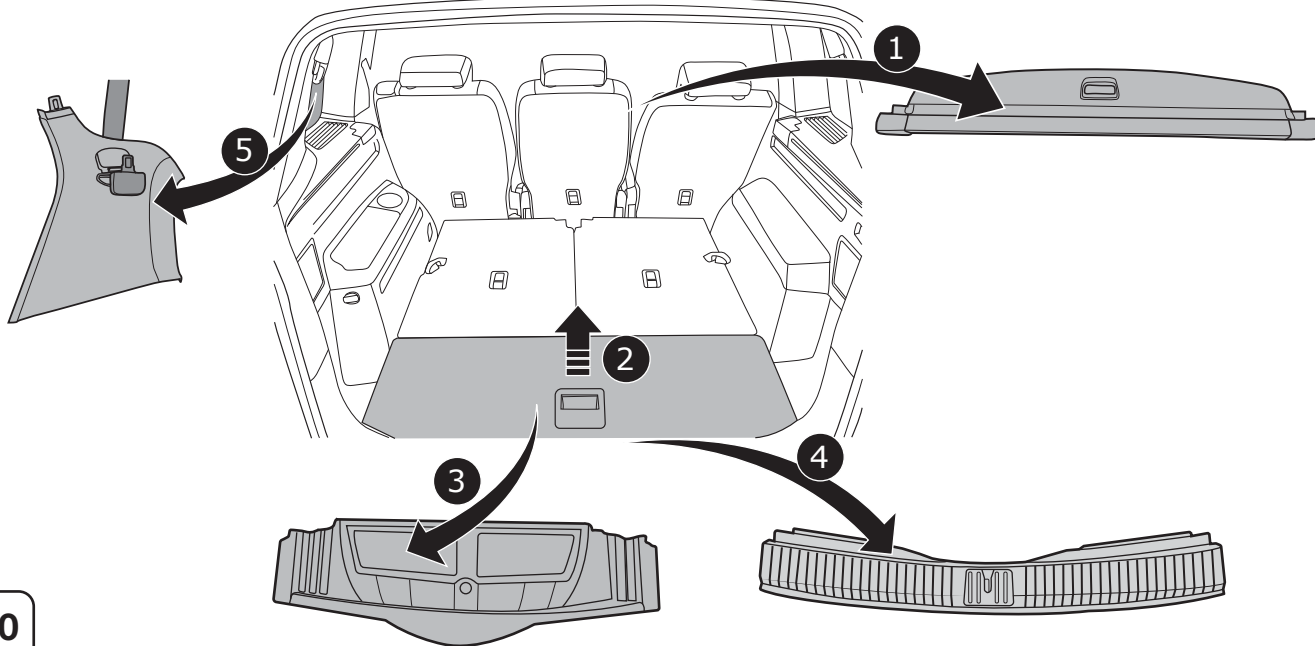
Tiguan / Tiguan Allspace



Tiguan / Tiguan Allspace

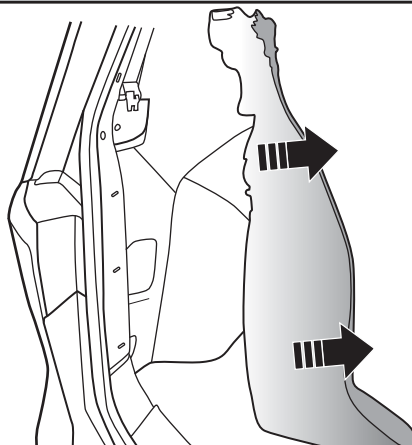
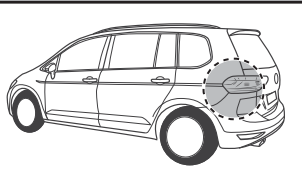


Touran



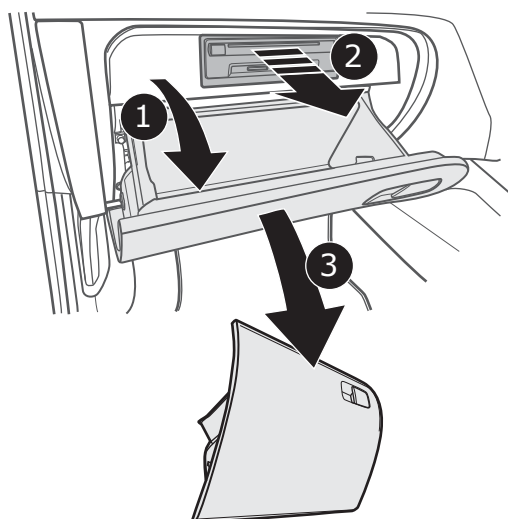
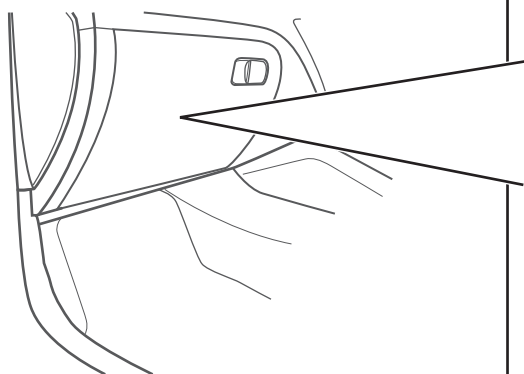
10

Touran



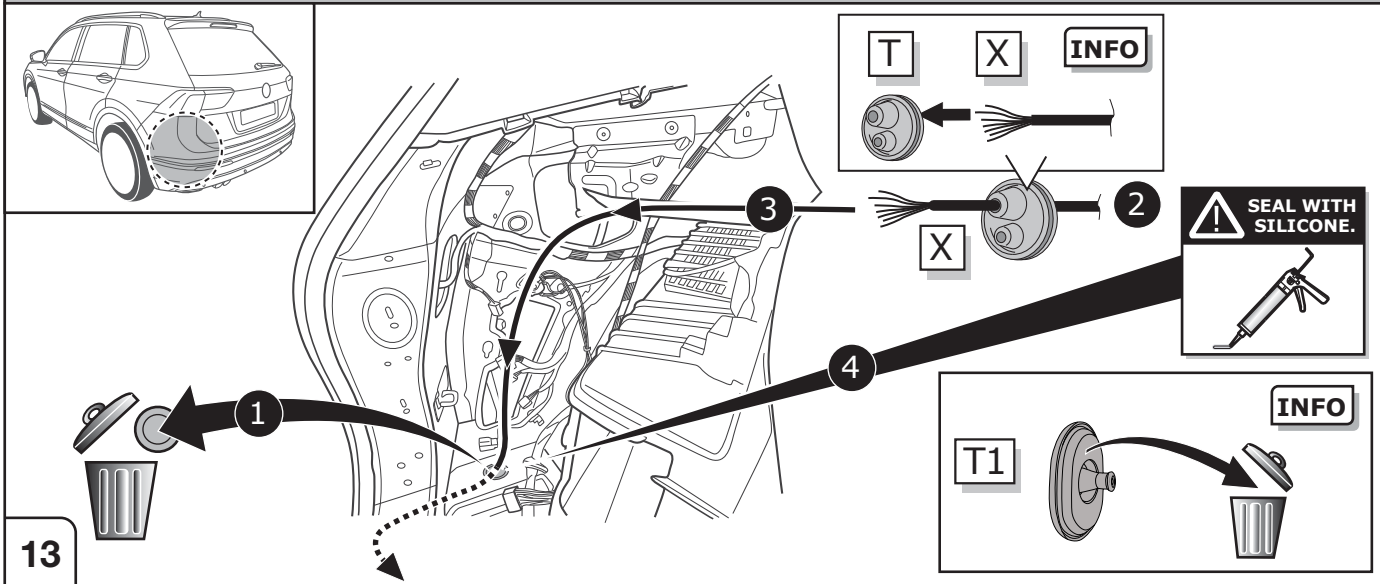
11

All models

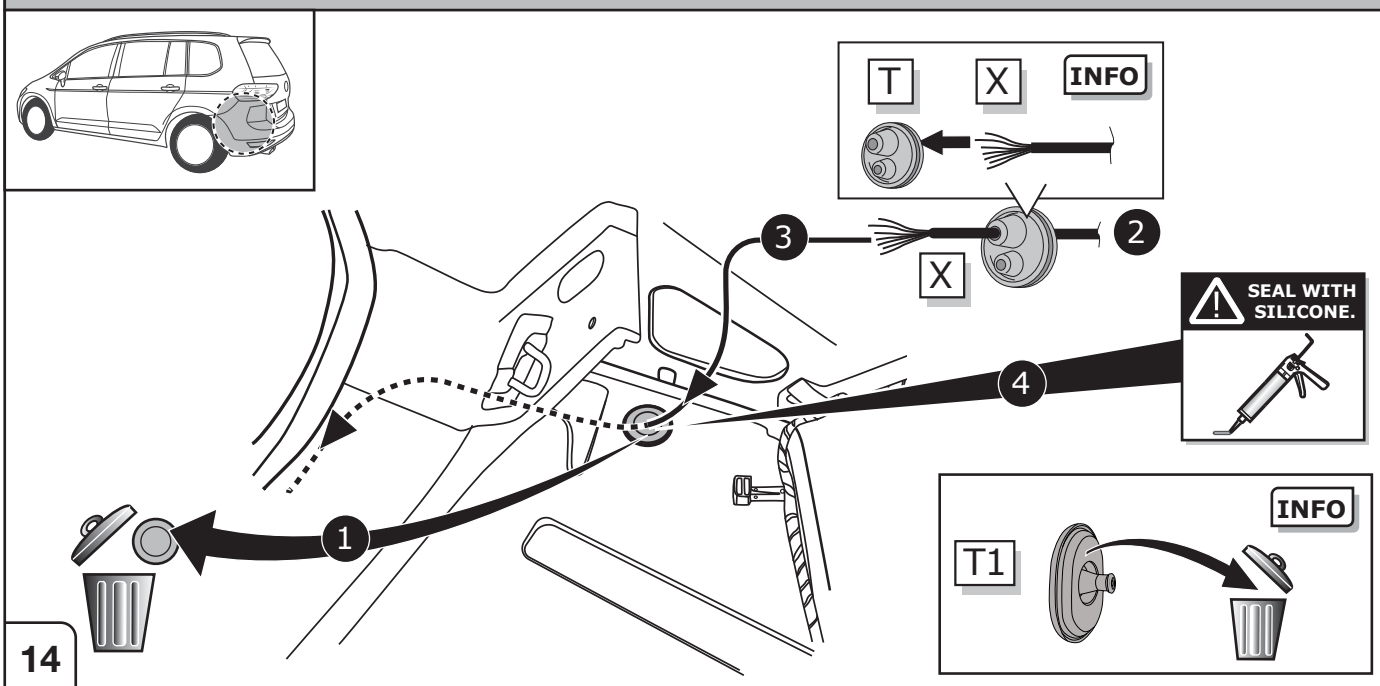


12

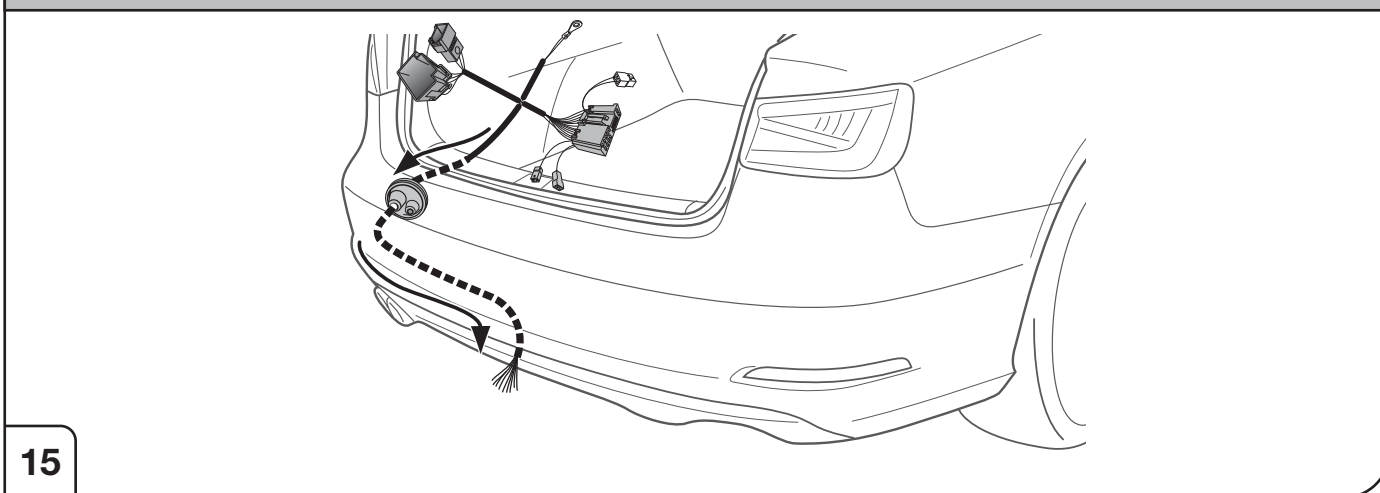
Tiguan / Tiguan Allspace



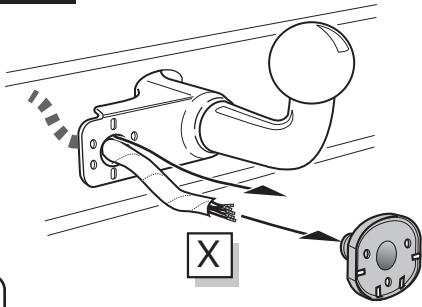
Touran



All models

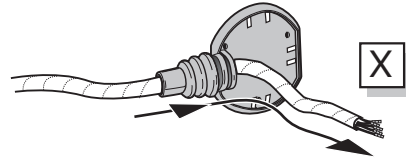


Option 1

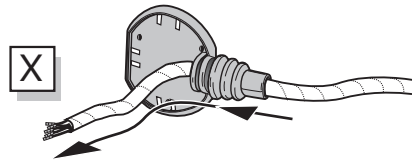


16

Option 2



Option 3



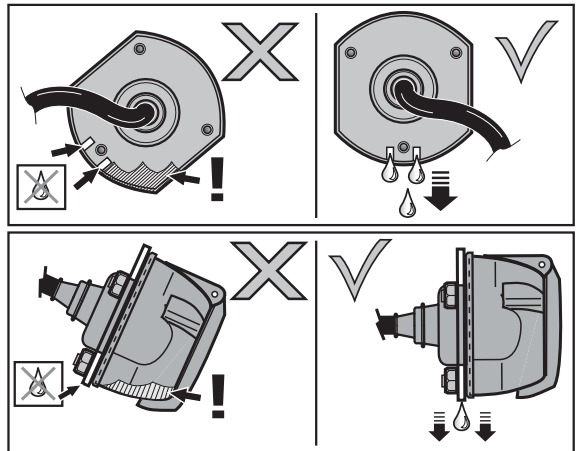
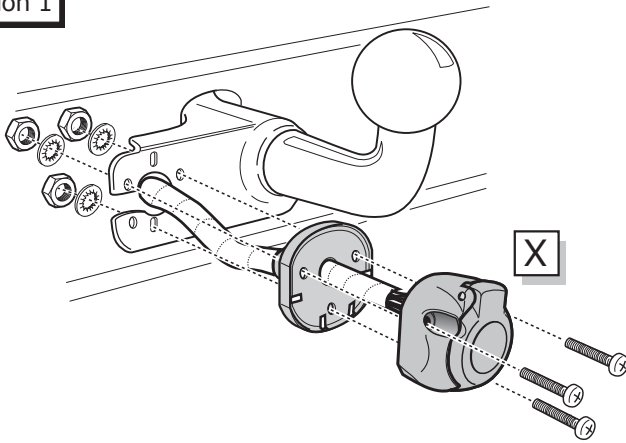
SOCKET CONNECTION



Page 31

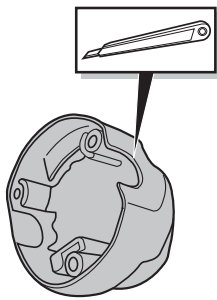
17

Option 1

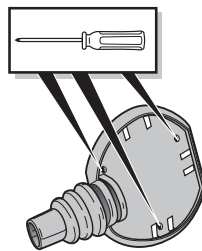


18

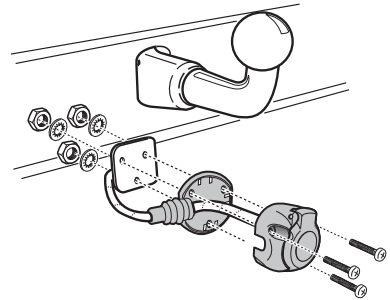
Option 2



1



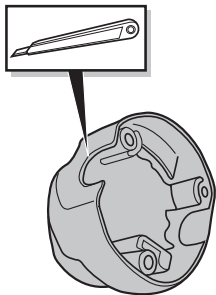
2



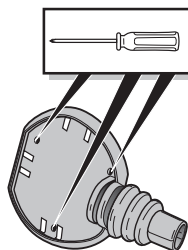
3

19

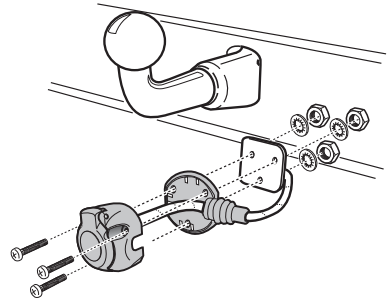
Option 2



1



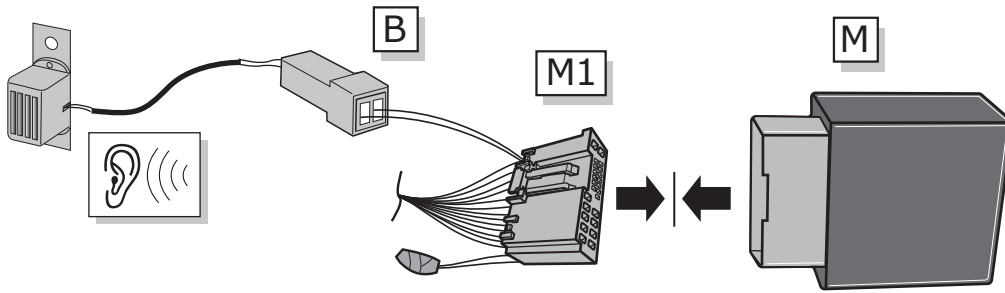
2



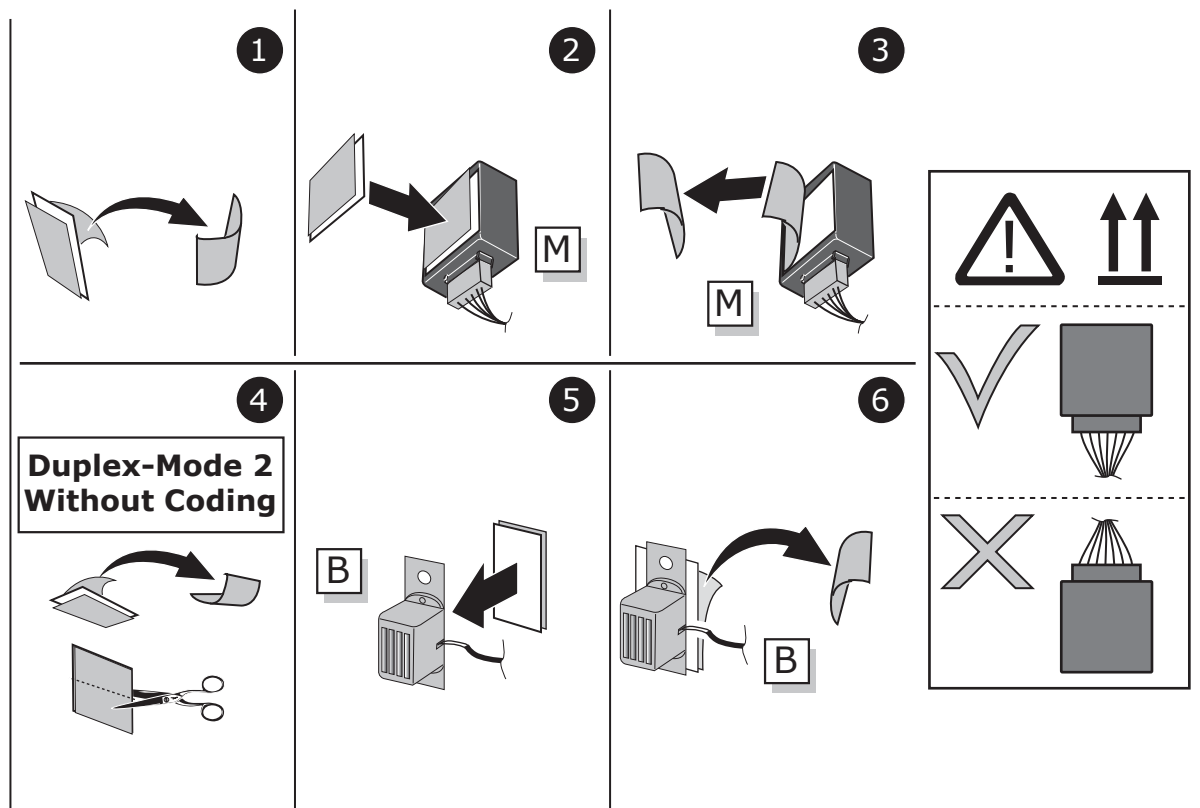
3

20

Duplex-Mode 2 - Without Coding (read-only)

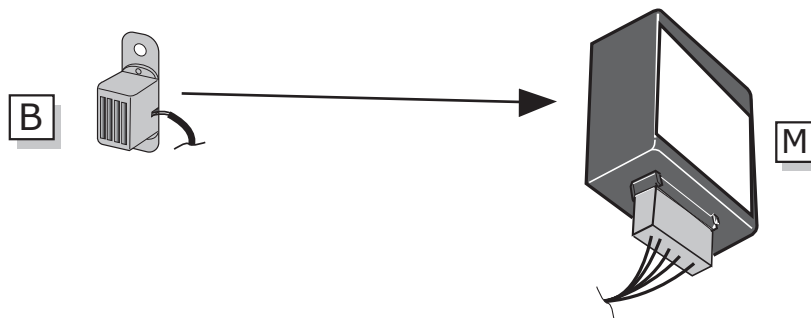


21



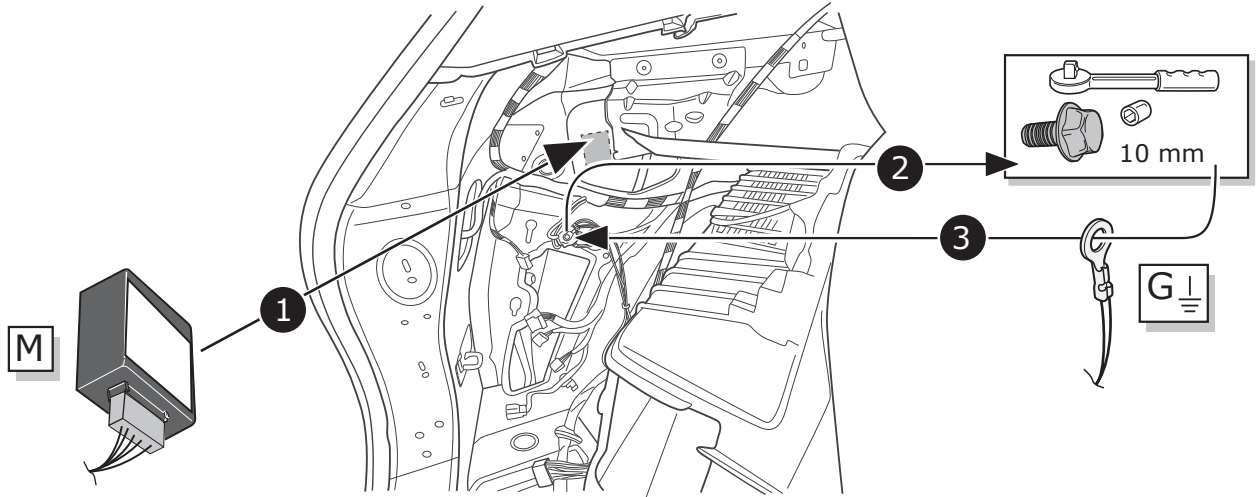
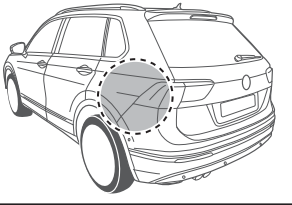
22

Duplex-Mode 2 Without Coding



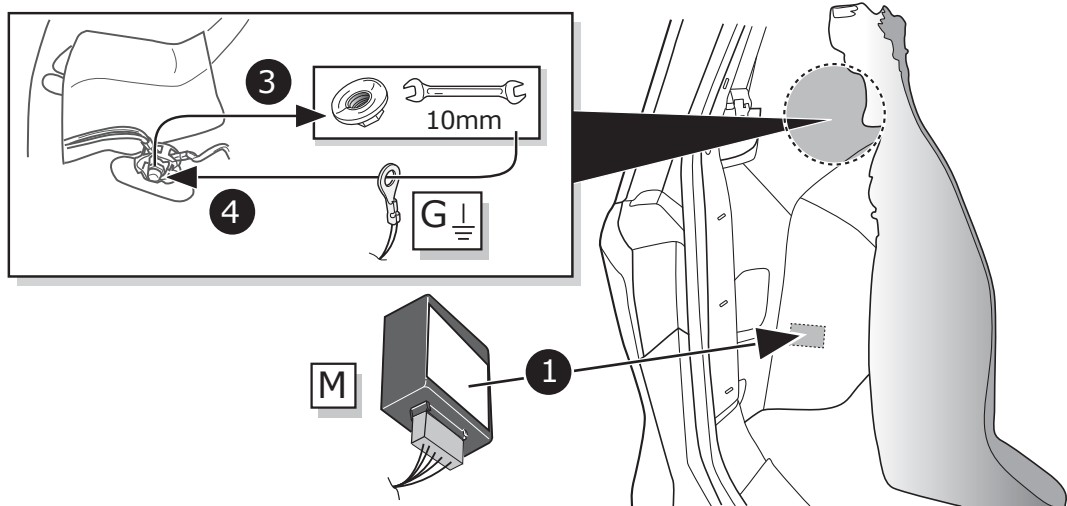
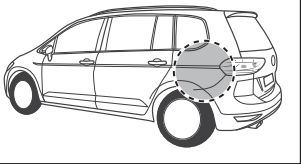
23

Tiguan / Tiguan Allspace



24

Touran



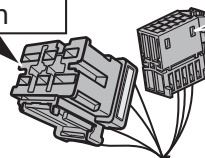
25

All models



Black/Purple 6 pin

Black 10 pin



Vehicles **with** trailer preparation

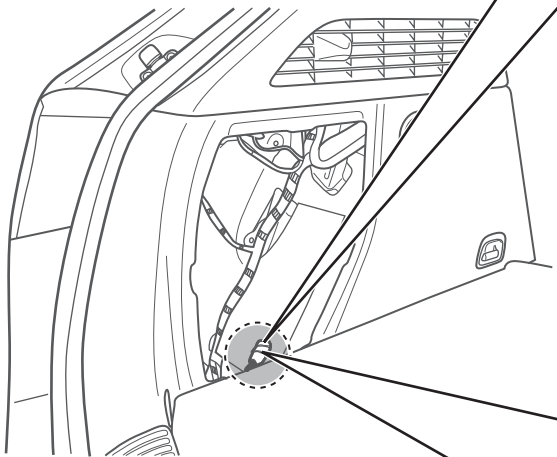


27

28

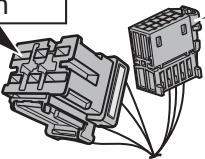
51

62



Black/Purple 6 pin

Black 10 pin



Vehicles **without** trailer preparation

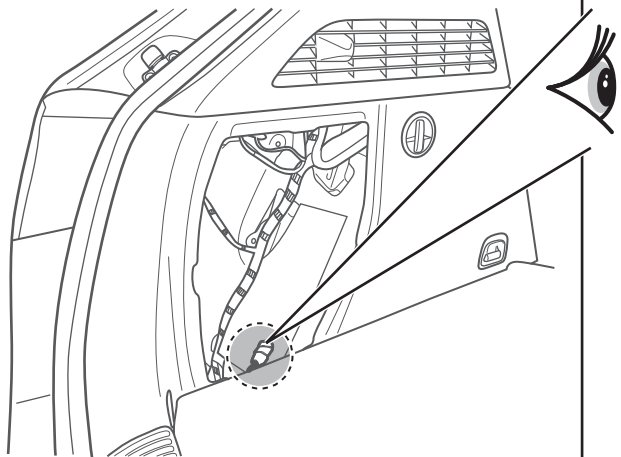
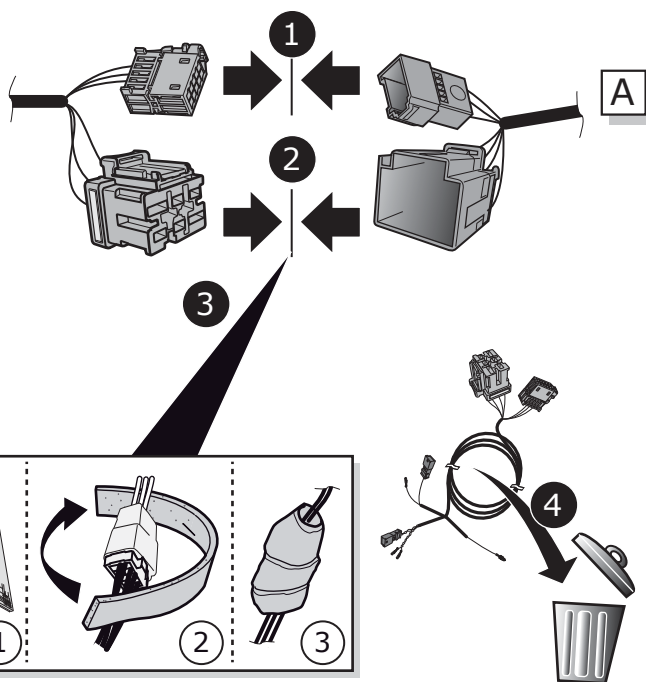


29

62

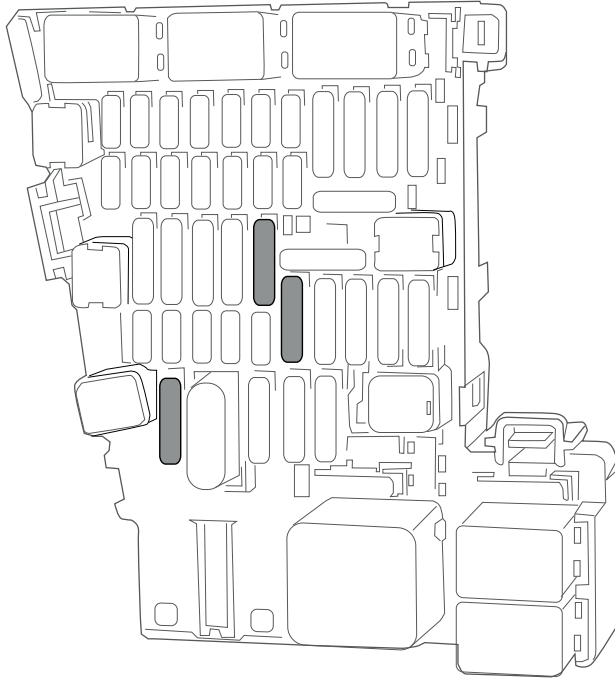
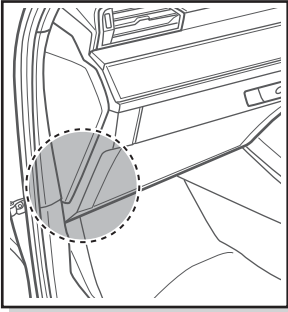
26

Vehicles **with** trailer preparation



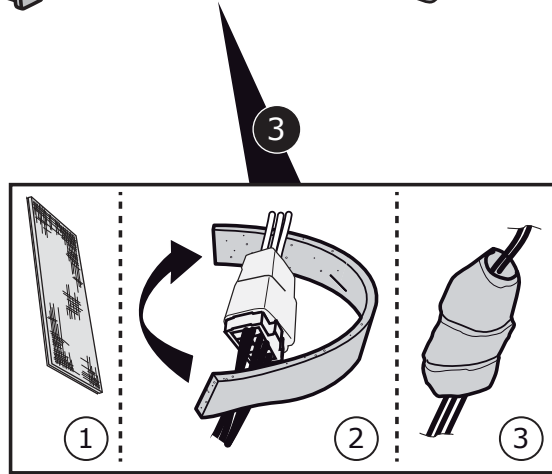
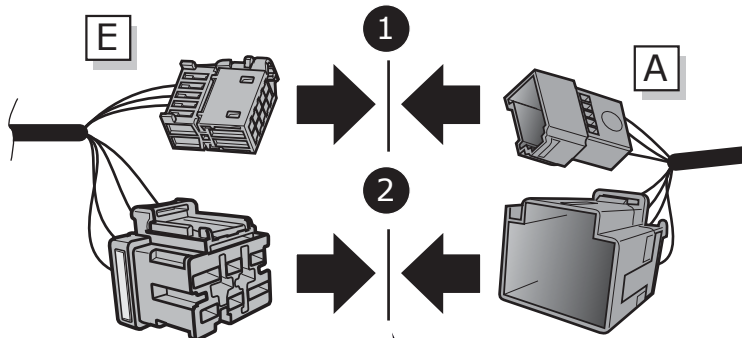
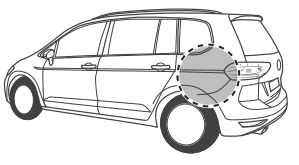
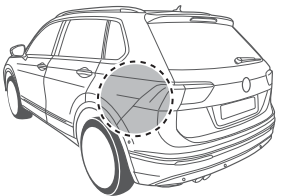
27

Vehicles **with** trailer preparation



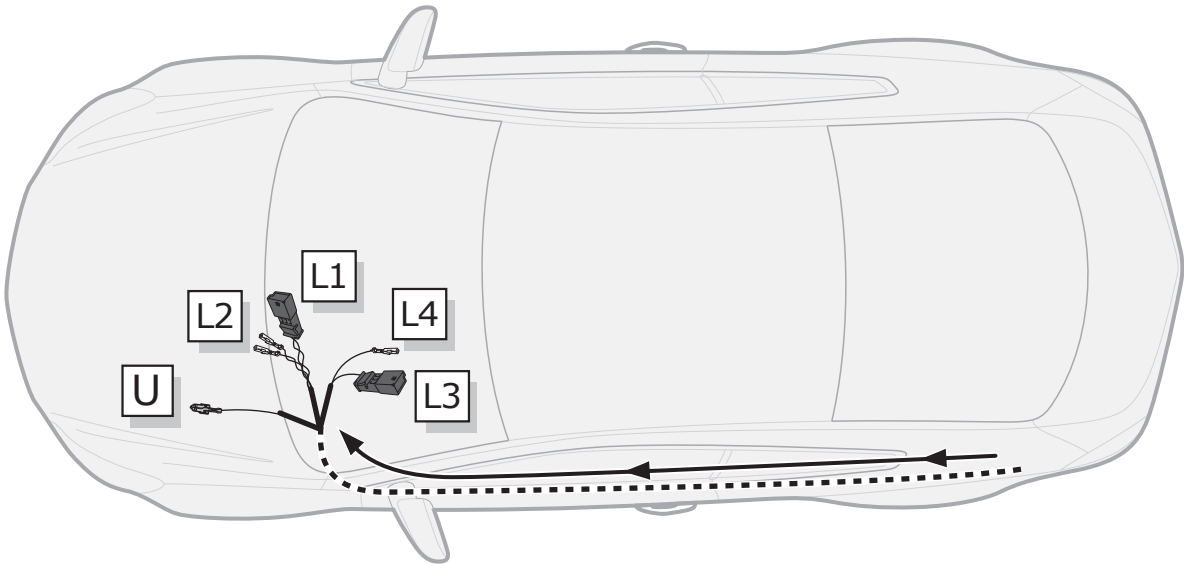
28

Vehicles **without** trailer preparation



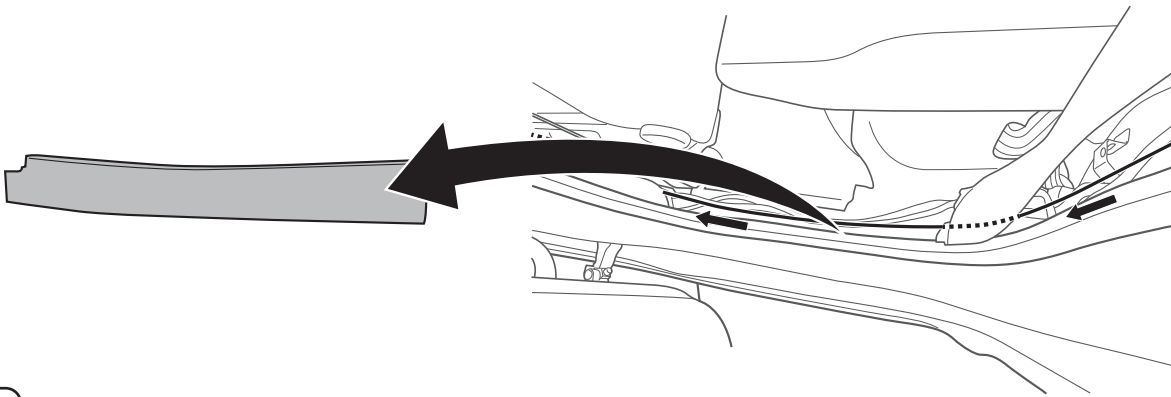
29

Vehicles **without** trailer preparation



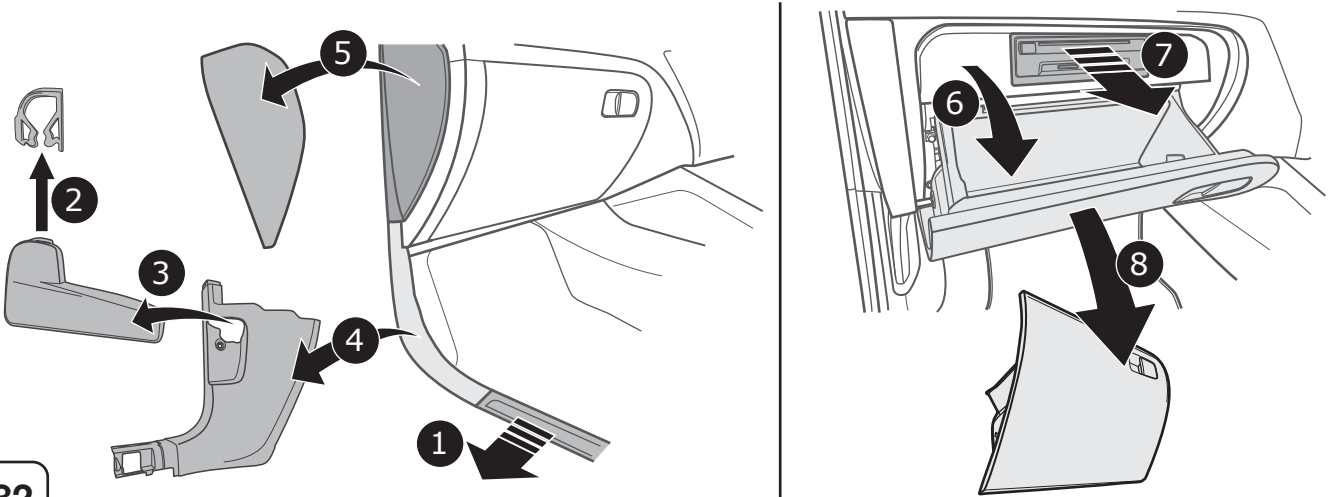
30

All models



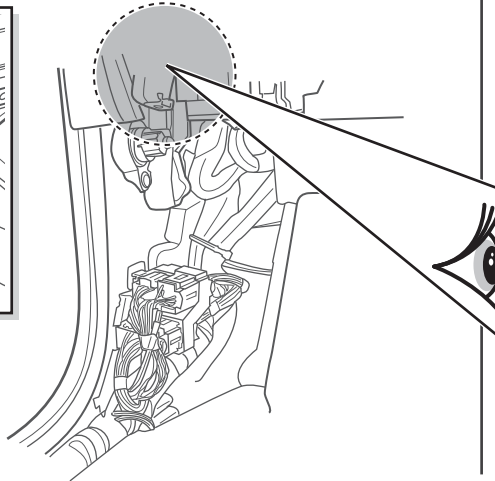
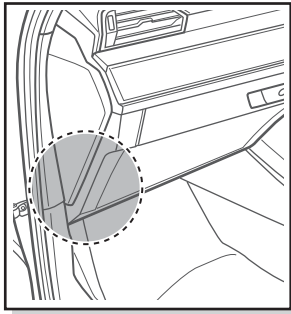
31

Vehicles **without** trailer preparation

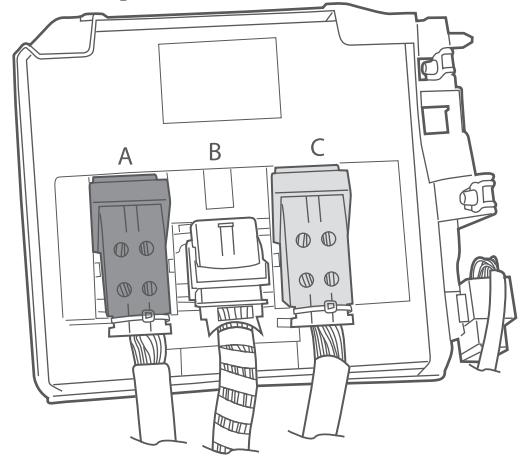


32

Vehicles **without** trailer preparation



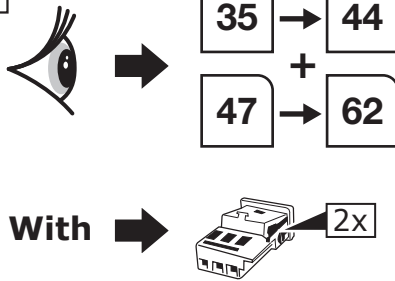
Body Control Module



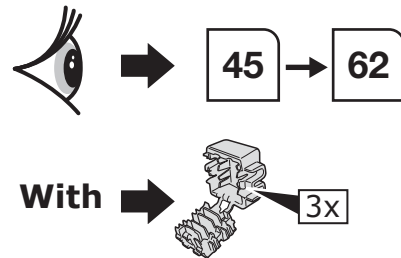
33

Vehicles **without** trailer preparation

CANbus OPTION A



CANbus OPTION B

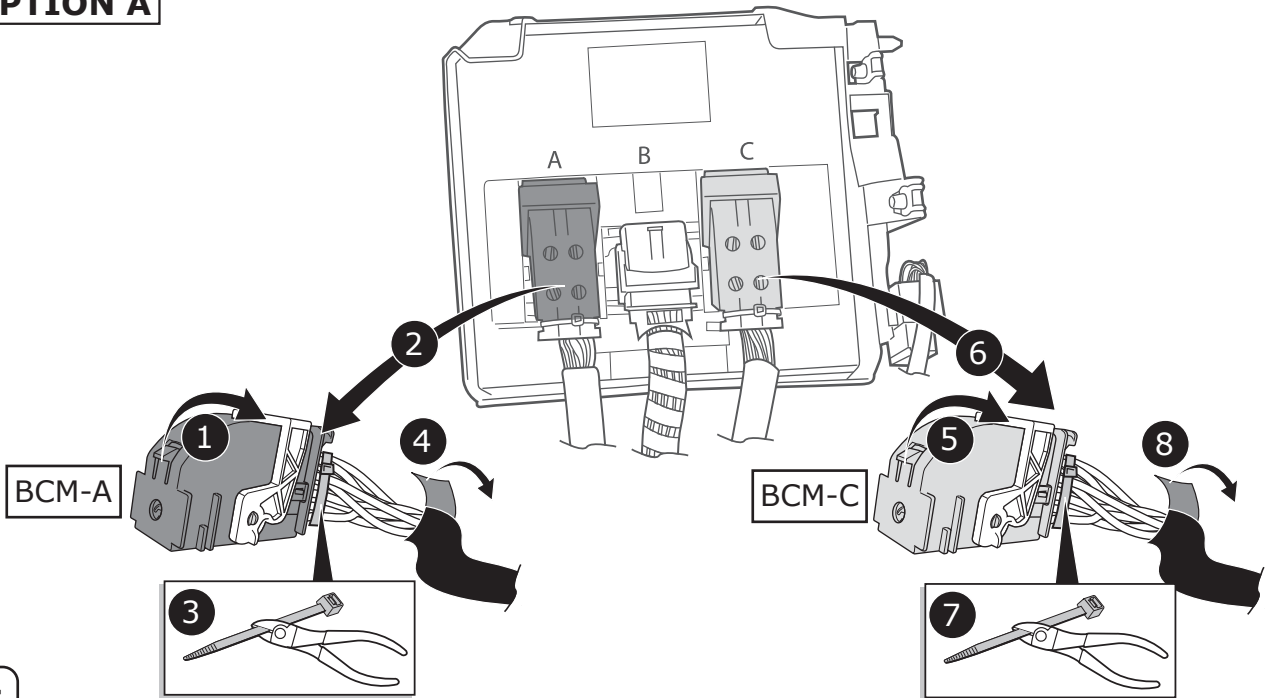


34

Vehicles **without** trailer preparation

CANbus OPTION A

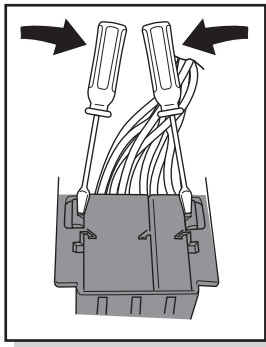
Body Control Module



35

Vehicles **without** trailer preparation

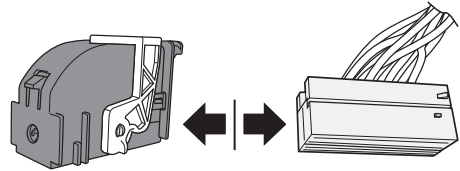
CANbus
OPTION A



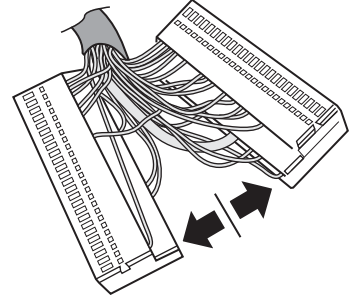
BCM-A

1

2



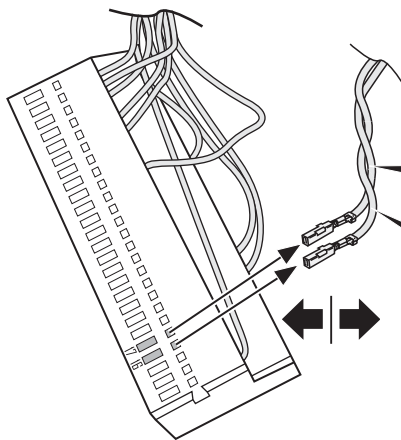
3



36

Vehicles **without** trailer preparation

CANbus
OPTION A



BCM-A

CAN L Orange/Brown
Pos. 17

CAN H Orange/Green or Pink
Pos. 16

Can-bus
Datawire

37

Vehicles **without** trailer preparation

CANbus
OPTION A

CAN L Orange/Brown
Pos. 1

CAN H Orange/Green or Pink
Pos. 2

LOCK

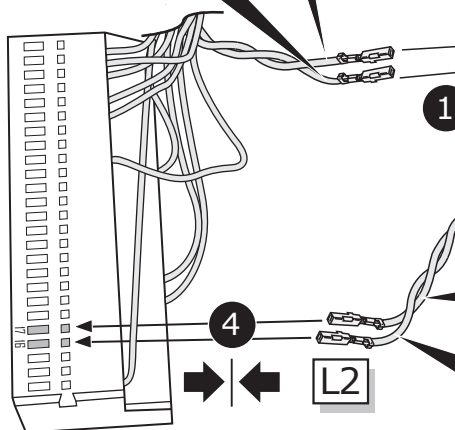
Orange/Brown
Pos. 1

2

3

L1

Orange/Green
Pos. 2



1

Orange/Brown
Pos. 17

Orange/Green or Pink
Pos. 16

Can-bus
Datawire

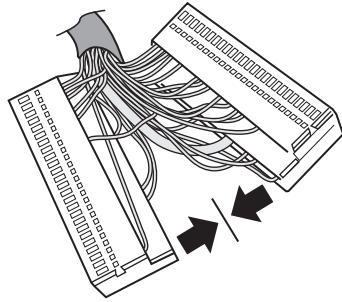
4

L2

38

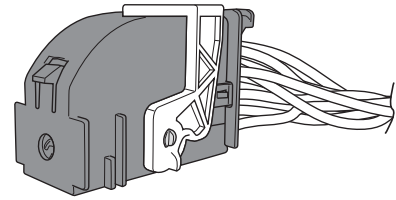
Vehicles **without** trailer preparation

CANbus
OPTION A



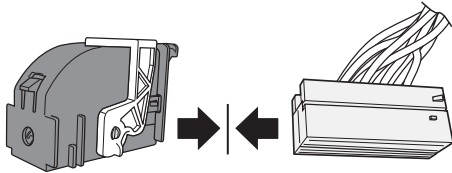
1

BCM-A



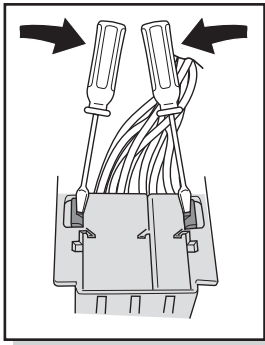
2

39



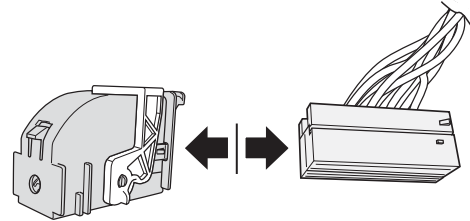
Vehicles **without** trailer preparation

CANbus
OPTION A

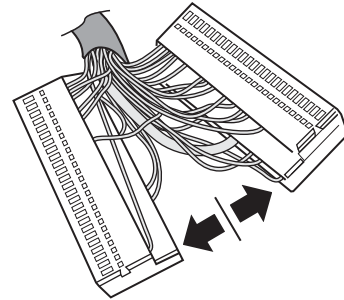


1

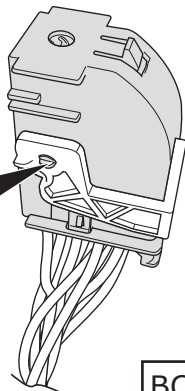
2



3



40

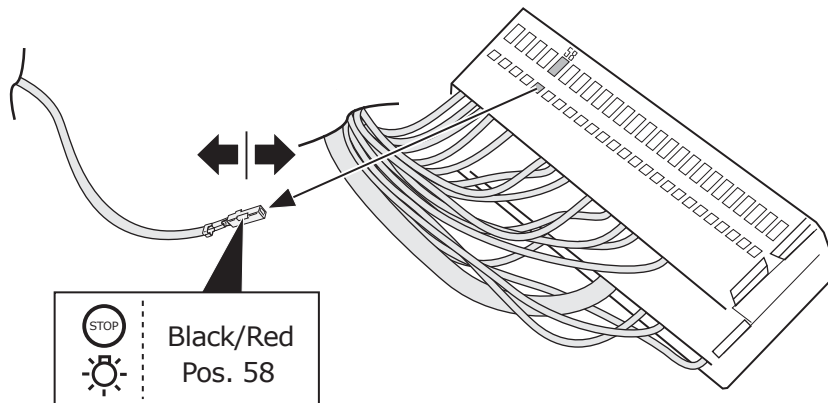


BCM-C

Vehicles **without** trailer preparation

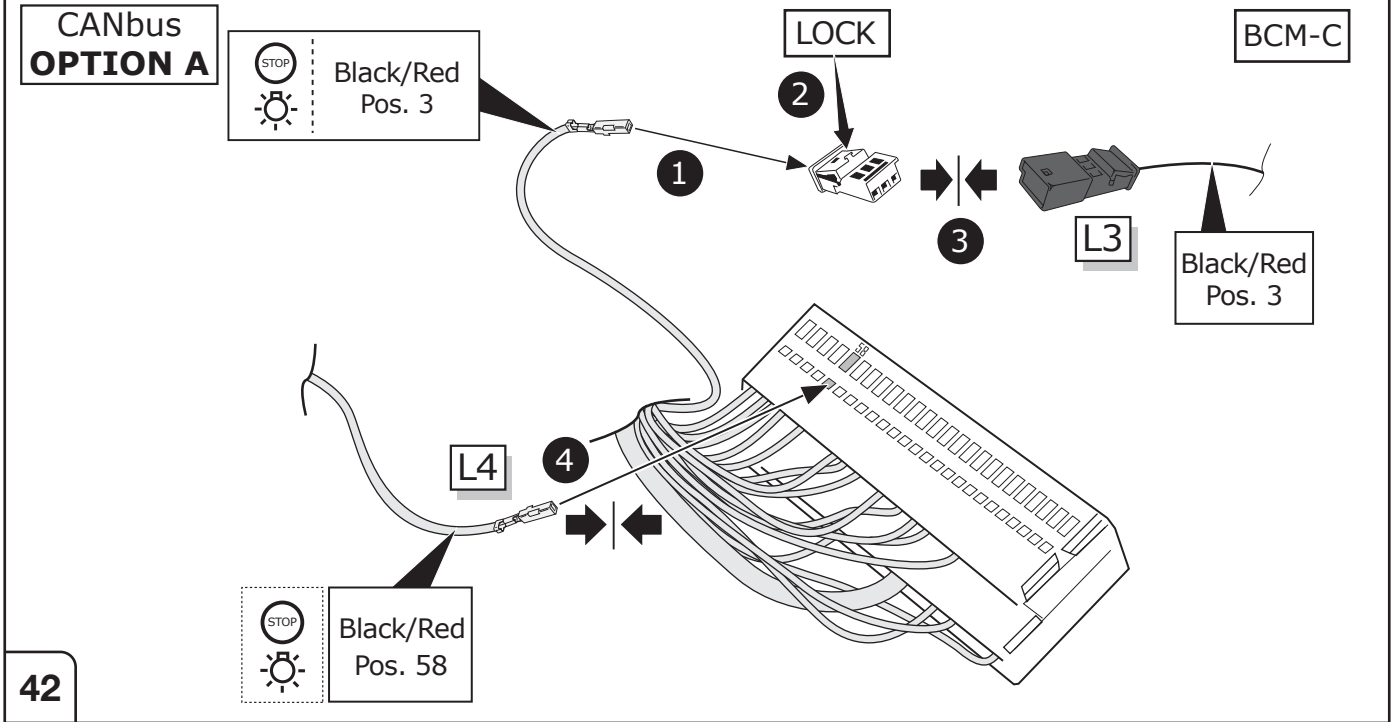
CANbus
OPTION A

BCM-C

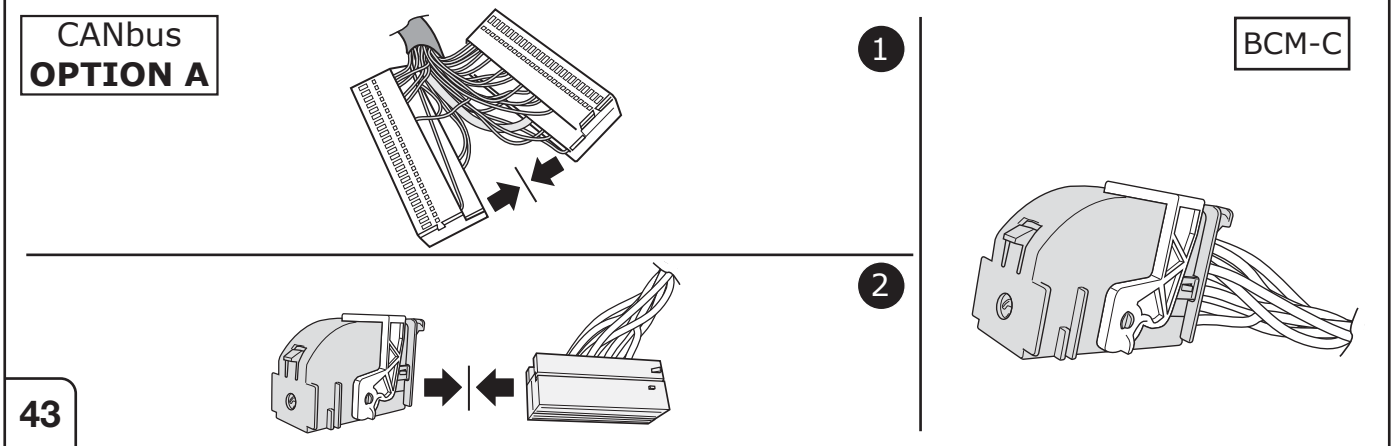


41

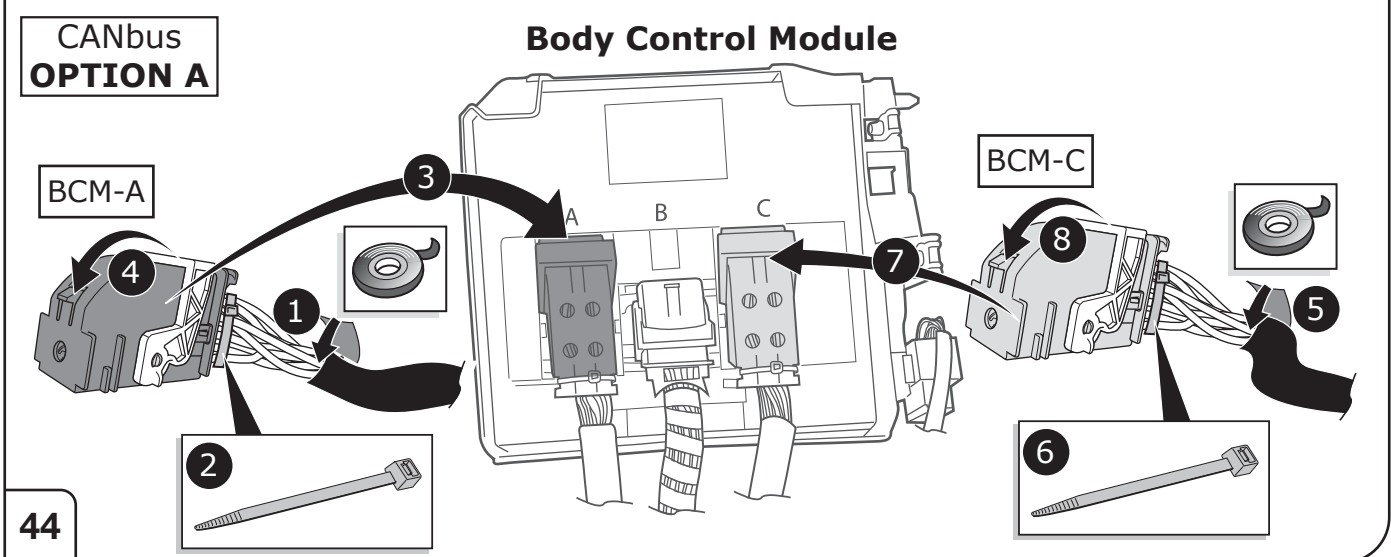
Vehicles **without** trailer preparation



Vehicles **without** trailer preparation

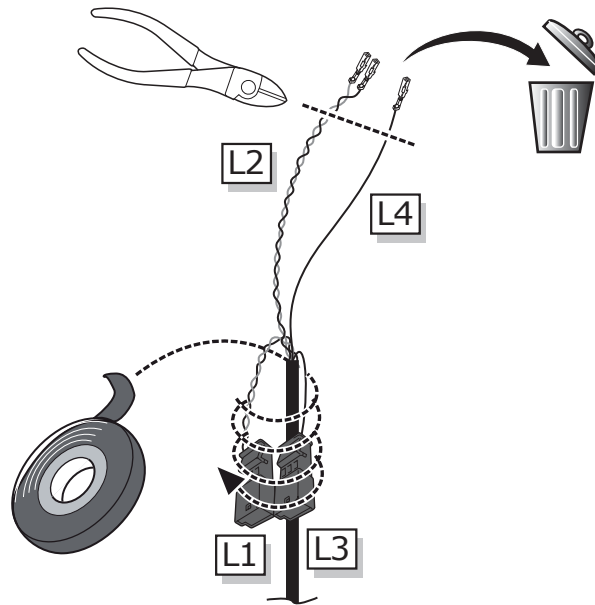


Vehicles **without** trailer preparation



Vehicles **without** trailer preparation

CANbus
OPTION B

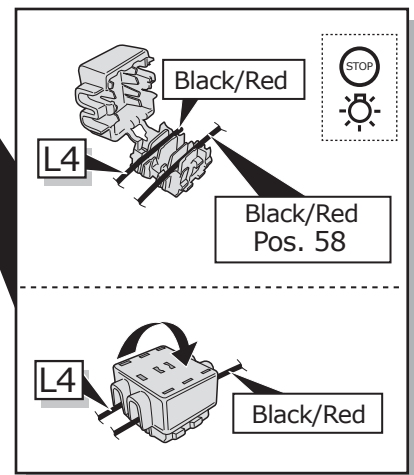
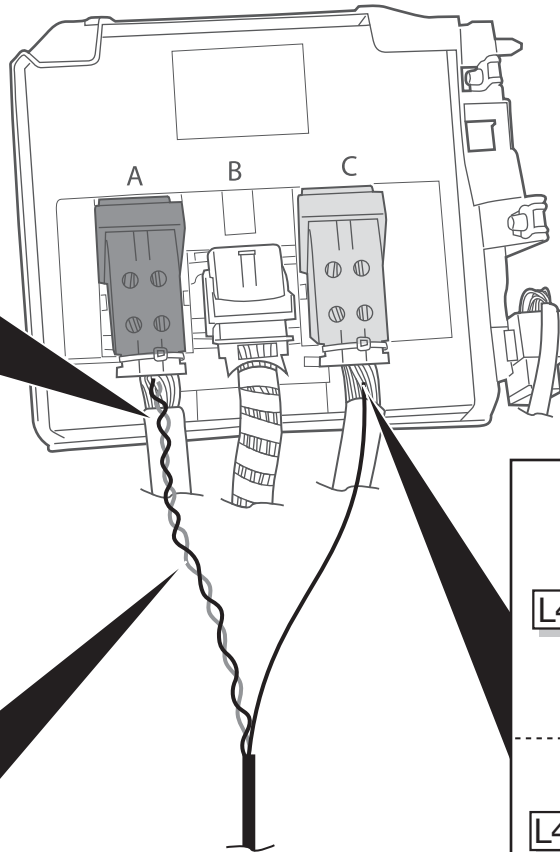
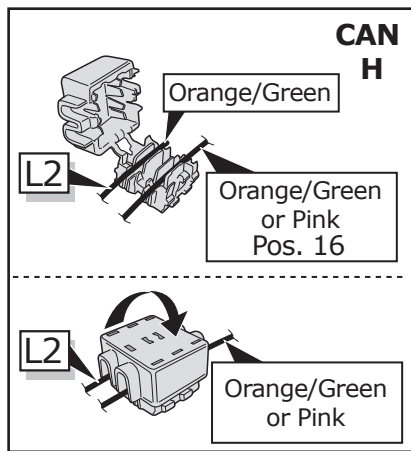
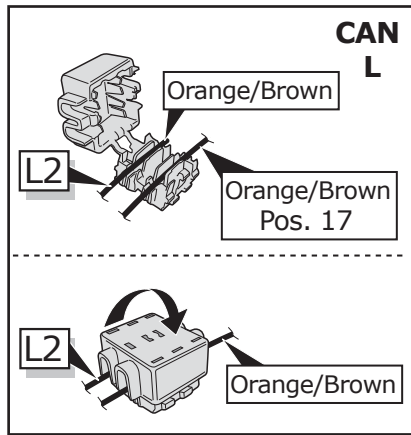


45

Vehicles **without** trailer preparation

CANbus
OPTION B

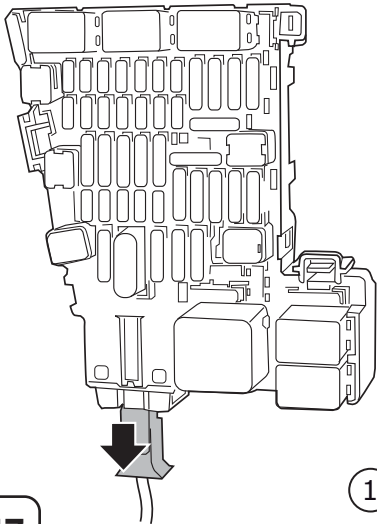
Body Control Module



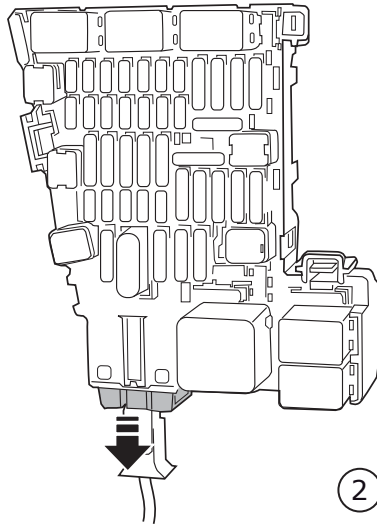
46

Vehicles **without** trailer preparation

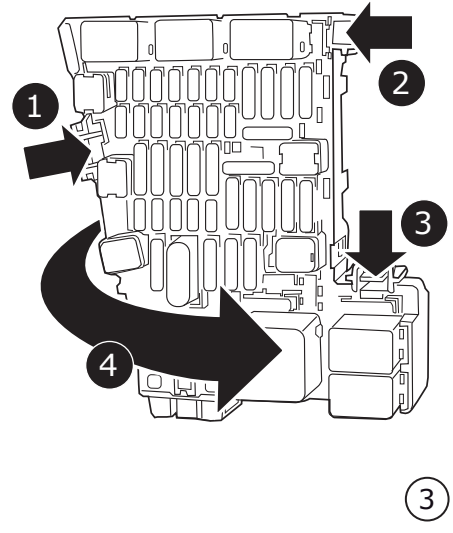
Fuse box option A



1



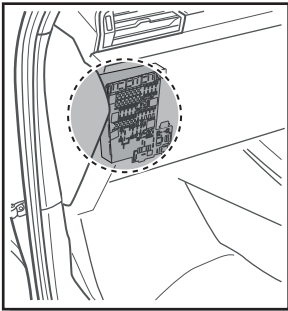
2



3

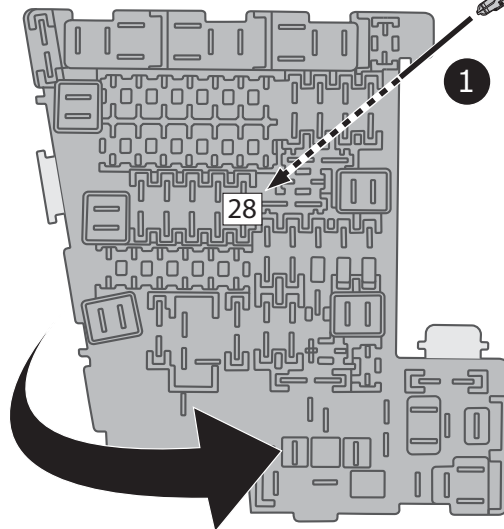
47

Vehicles **without** trailer preparation



Red/Blue
Pos. 28

U



1

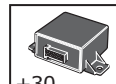
28

2



20 Amp.

Pos. 28

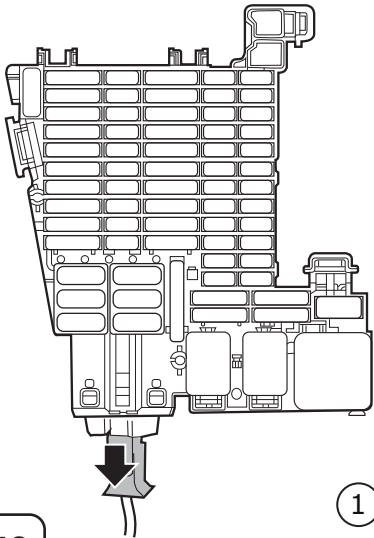


+30

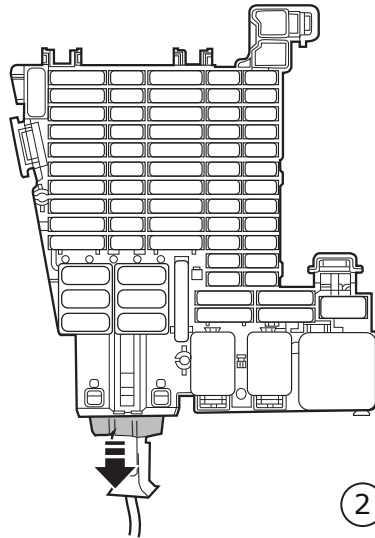
48

Vehicles **without** trailer preparation

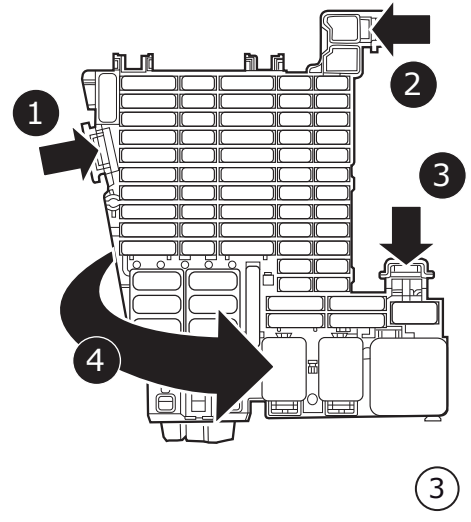
Fuse box option B



1



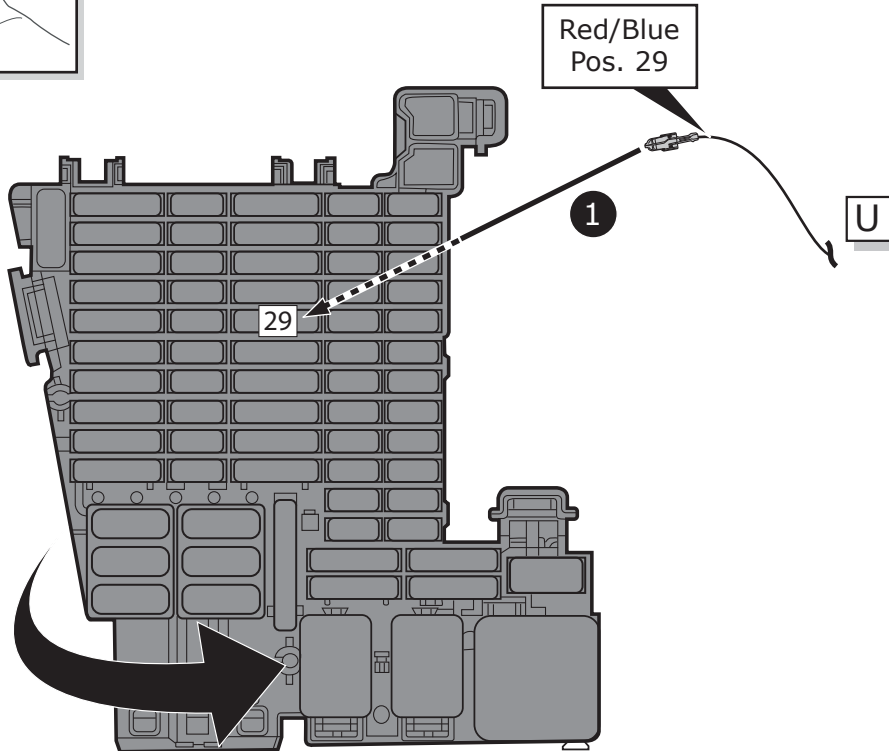
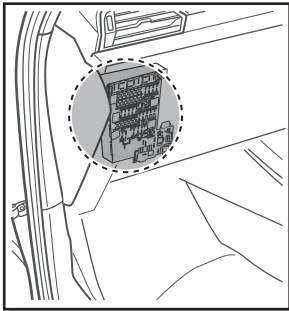
2



3

49

Vehicles **without** trailer preparation



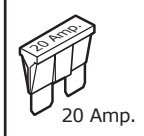
Red/Blue
Pos. 29

1

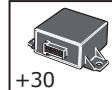
29

U

2

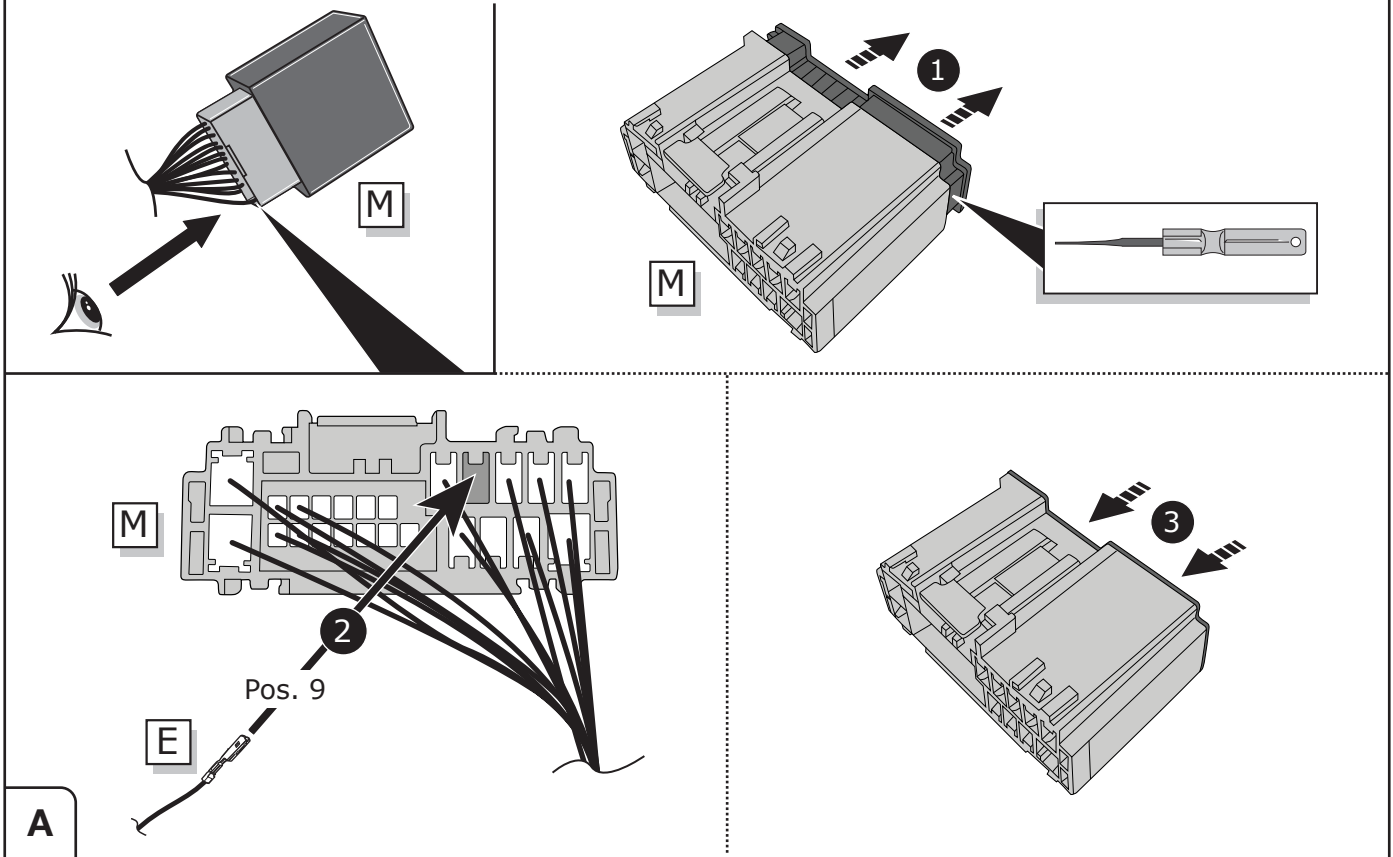


Pos. 29

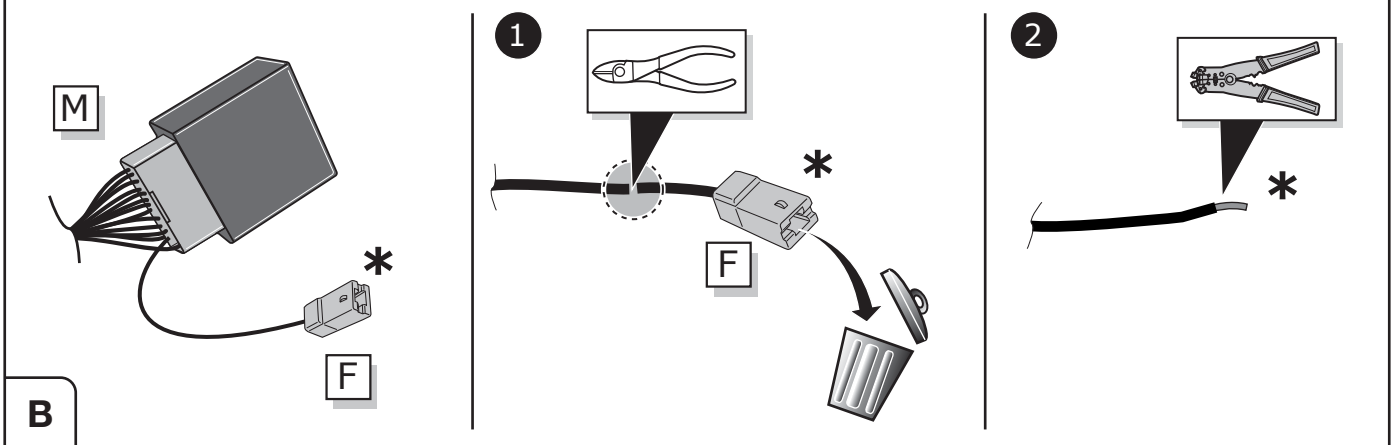


50

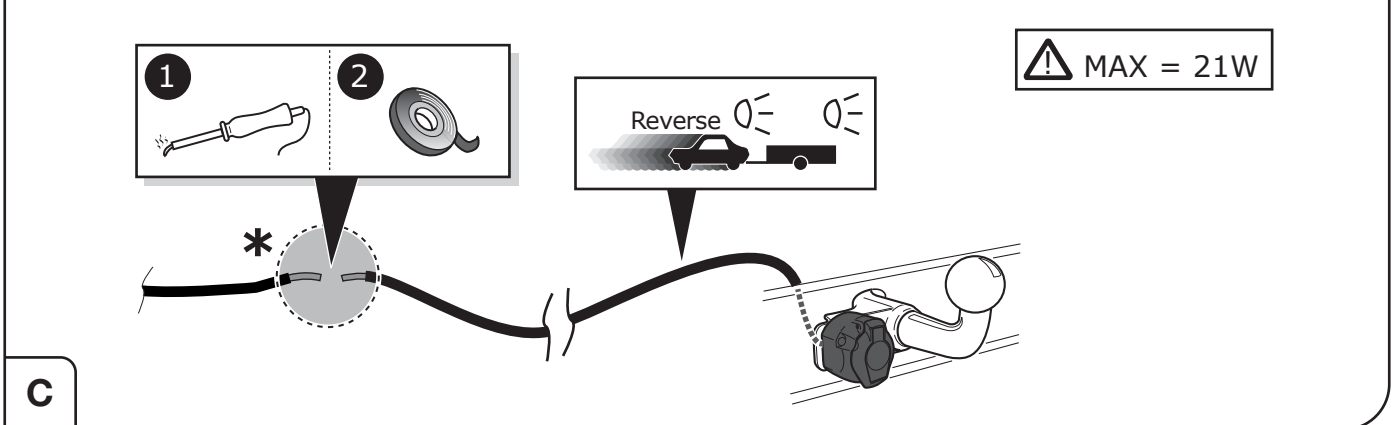
Reverse signal preparation

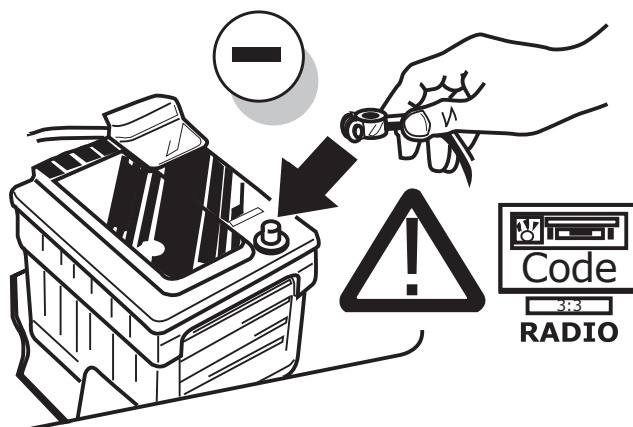


Reverse signal preparation



Reverse signal preparation





51

Duplex-Mode 1 - With Coding (read/write)



Diagnostic services and methods (local offline):

Please note:

Always use the latest diagnostic version!
The vehicle to be coded must be supported by the diagnostic service provider and already be implemented in the diagnostics version!
Please contact your diagnostic service provider in case of any question.

ATTENTION!

Model year 2021 vehicles are equipped with a so-called vehicle diagnosis protection (SFD). Make sure that access to locked on-board control units is granted by the diagnostic system.
Possible diagnostic service providers:

- **ODIS (page 26)**
- **JIFELINE**

52



CODING WITH ODIS

Please note:

The procedure described below for encoding and enabling the trailer mode only serves for a general orientation and can vary greatly depending on the model (motorisation / equipment). If necessary less or further control units will have to be adapted.

After connecting to ODIS, the "69 trailer function" controller has to be set to encoded in the target installation list.

The following may be necessary in the further course of work:

EZE_09 (electronic central electric controller):

Diagnosis
 (possible login code: 31347)
 Networking plan
 Controller self-diagnosis
 Encode
 Trailer connection device >installed
 or: hitch_ecu >installed

Alternative encoding EZE_09 as follows (MY 2017 >>):

Self diagnose control unit
 Access authorization >31347
 Adjustment
 Integration
 Trailer control unit > installed

ZKS_46 (Central module convenience system)

trailer monitoring >put on active
 trailer control unit >installed

SWA_3C (Lane Change Assist)

ECU for draw bar >with ECU for draw bar

SW2_CF (Lane Change Assist2)

ECU for draw bar >with ECU for draw bar

SCH_17 (Dash panel insert)

Trailer >yes

RFK_6C (reverse camera system)

equipment_ahk >installed

STF_74 (chassis control system)

Trailer >installed

EPH_76 (PDC controller)

Trailer >trailer device can be removed manually

DIS_13 (controller distance control)

(possible login code: 20103)
 Control module for towing sens >installed

Alternative encoding DIS_13 as follows:

Self diagnose control unit
 Access authorization >20103
 Encoding
 Binary encoding
Byte 3
 Binary >xxxx1xxx
 or Hex >+8

03 Brake electronics

Access authorisation > 61378
 Adjustments
 Trailer stability >Active

FFF_A5 (front sensor system controller)

AAG >coded

HDE_6D (boot lid electronics controller)

Trailer >installed

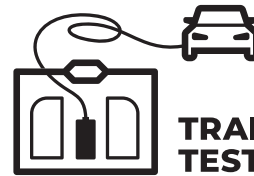
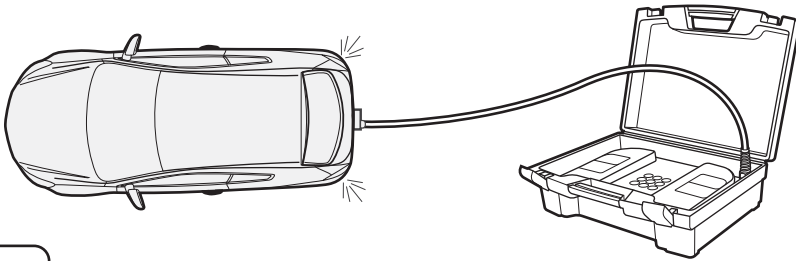
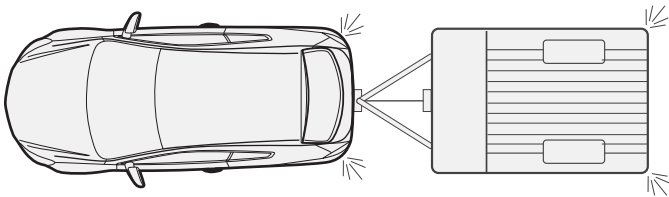
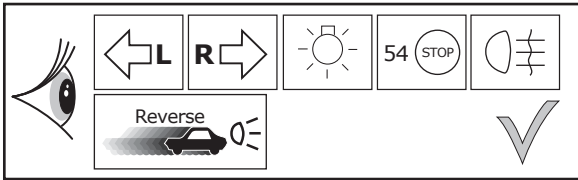
Encoding AST_7E (Driver display unit)

Encoding
 Trailer → on

Important note on encoding and activating in trailer mode

The aforementioned settings are carried out in the vehicle's electrical system and saved locally. During general updates for the vehicle software (for example, within the scope of service or repair work), the settings may be overwritten and deleted under certain circumstances. In this case, the trailer mode activation has to be updated again locally after the update. Diagnostic information relating to the trailer mode that may appear during variance comparisons with the data saved in the manufacturer's works, may form the basis of the local activation.

Functional test

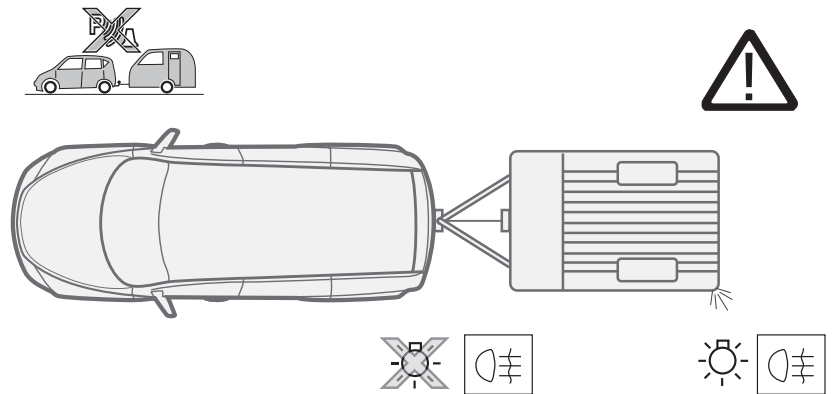
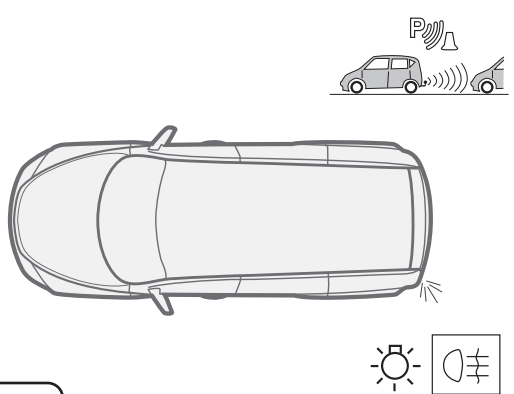
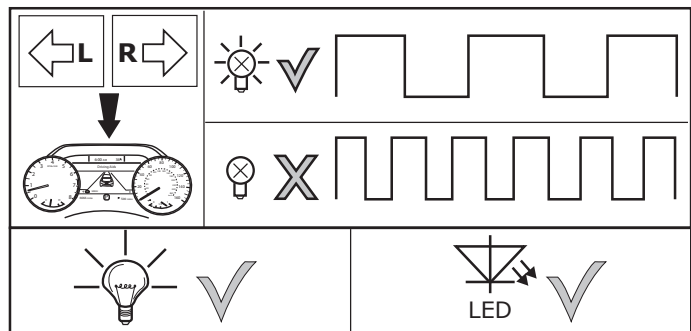
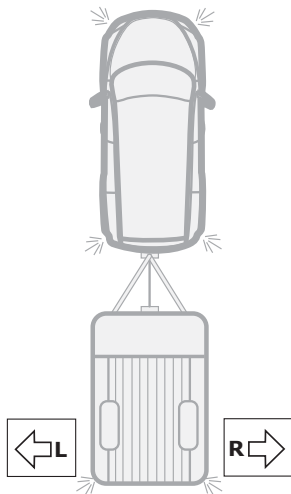


TRAILER TEST DEVICE
ECS part no.
TD001ZZ

54

Duplex-Mode 1 - With Coding (read/write)

INFO



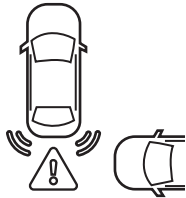
55



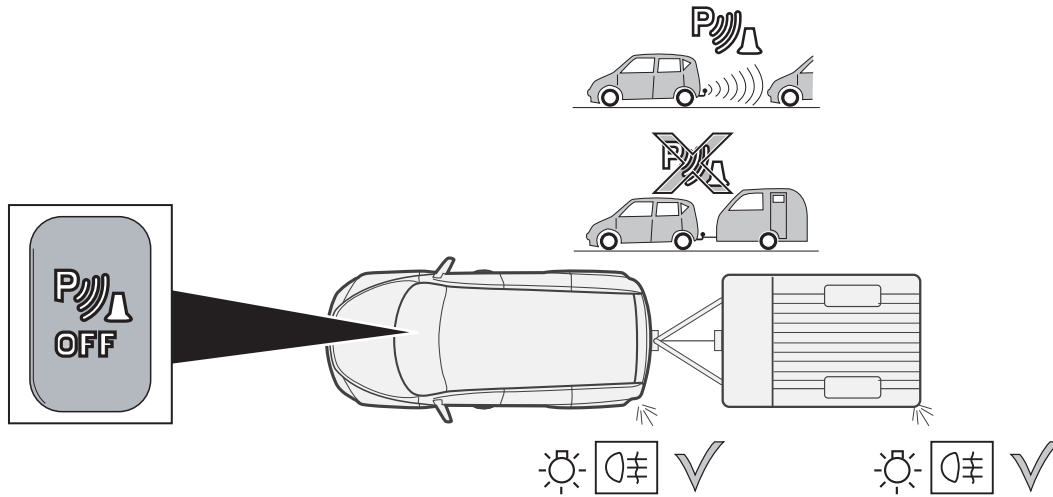
Rear fog light cut-off is not supported!



PDC to be deactivated manually!

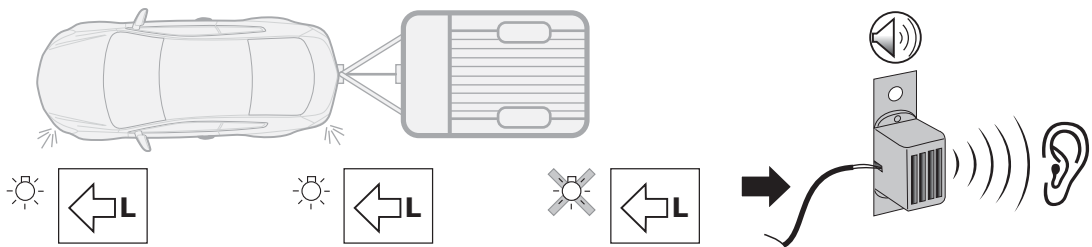
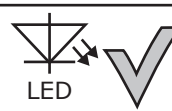
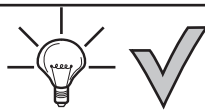


Rear Collision Avoidance Systems to be deactivated manually!



56

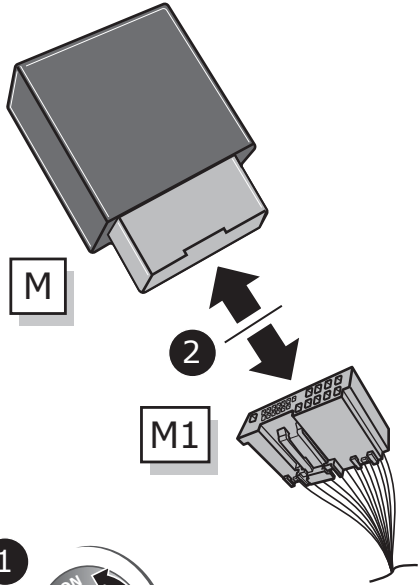
INFO



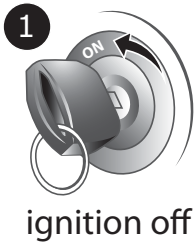
57

How to change the Duplex-mode if required:

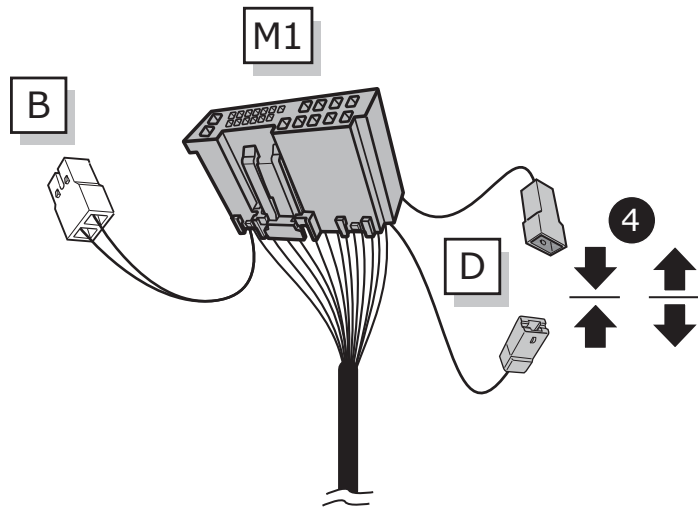
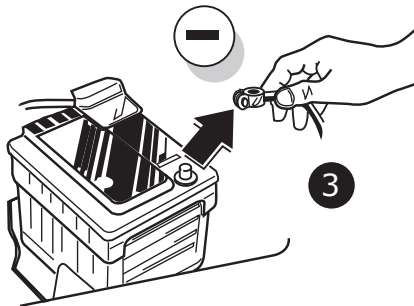
INFO



1. Turn off ignition
 2. Disconnect trailer module M from harness M1
 3. Disconnect battery
 4. Set up requested Duplex mode:
 - Disconnect D and attach buzzer (B) for read-only mode
 - Connect D and remove buzzer (B) for read/write mode
- Connect trailer module M to harness M1
 - Connect battery
 - Turn on the ignition and run a full test
 - Coding may need removing or adding depending on Duplex mode selected



ignition off



58

The following light functions for the trailer are **not supported** by all towing vehicles **with DRL circuit**:

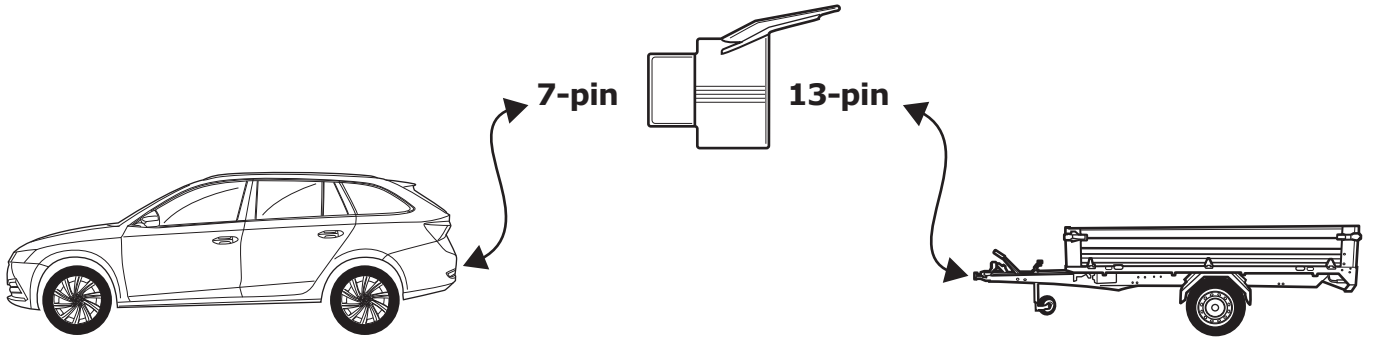
- Rear lights
- Side lights
- Numberplate lights

The **taillights or dimmed headlights** **must be switched on** to activate this function!

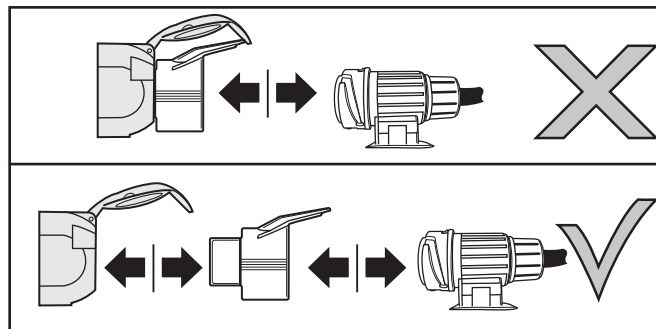
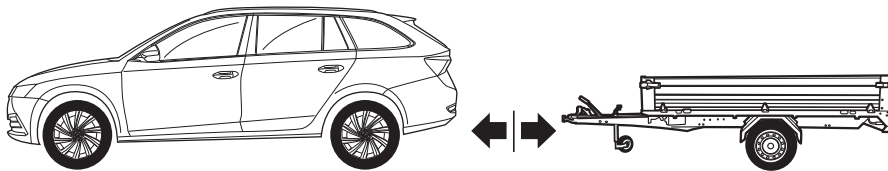
59

Optional

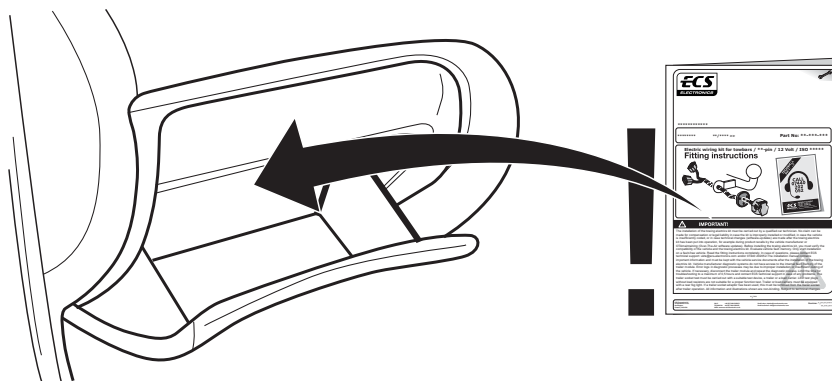
Adapter socket



60

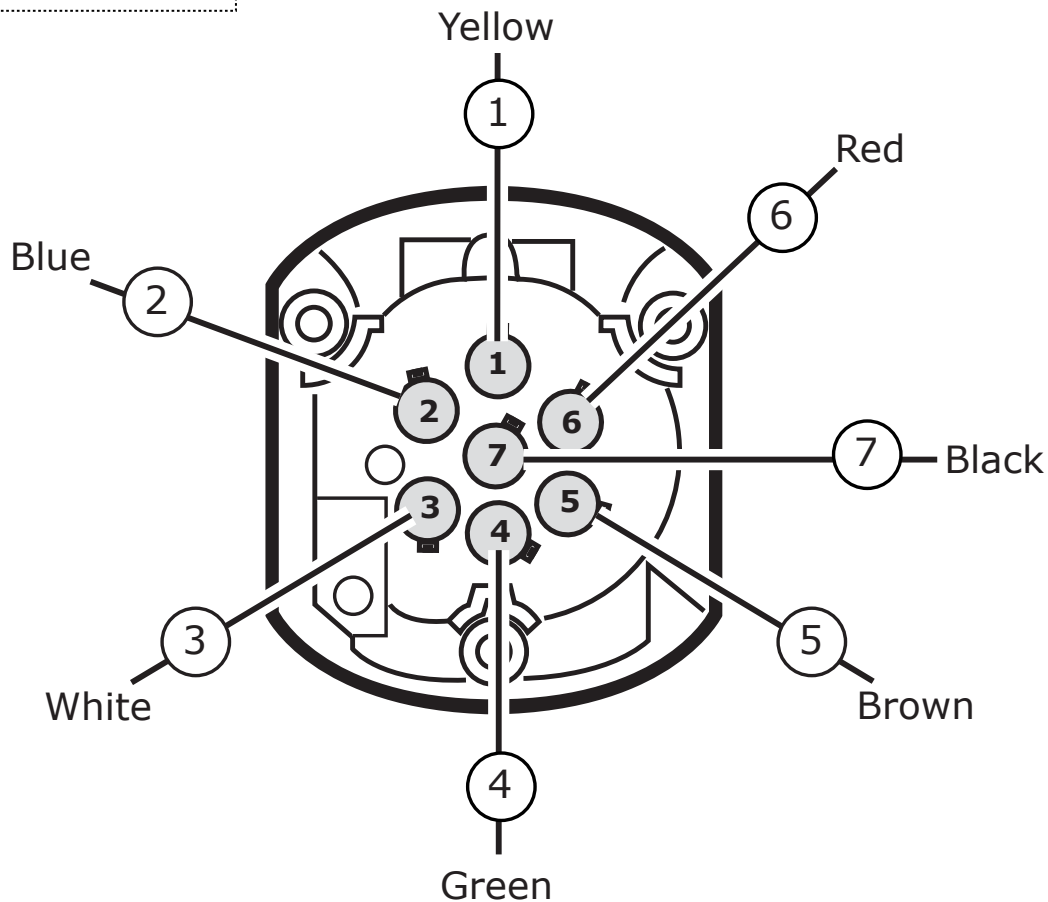
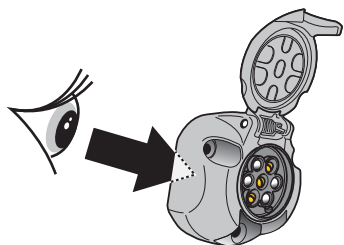


61



62

SOCKET CONNECTION



SOCKET CONNECTION

DIN/ISO 1724							
	1/L	2	3/31	4/R	5/58-R	6/54	7/58-L
Pmax	21W	42W		21W	52W	3x21W	52W
Colour	Yellow	Blue	White	Green	Brown	Red	Black